

F

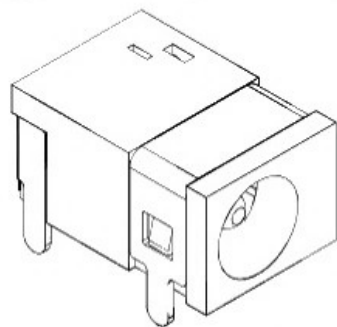
E

D

C

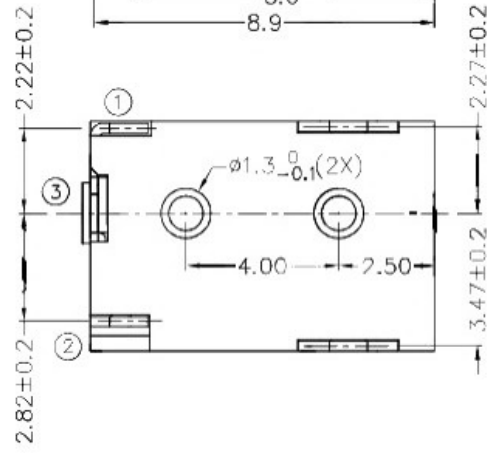
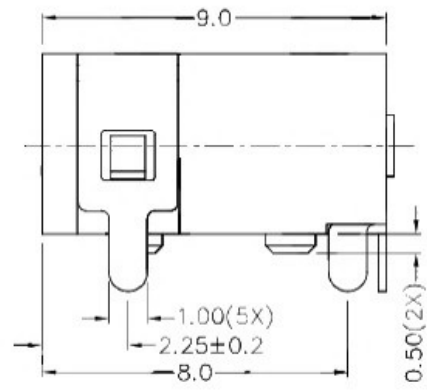
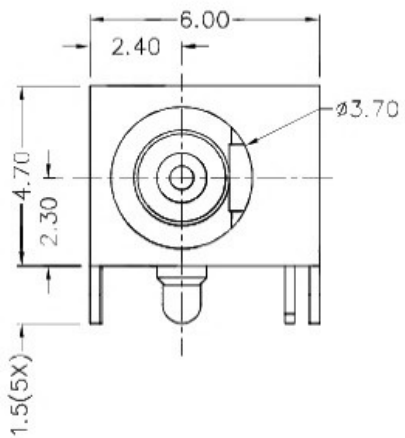
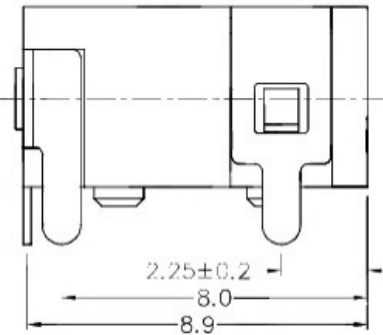
B

A



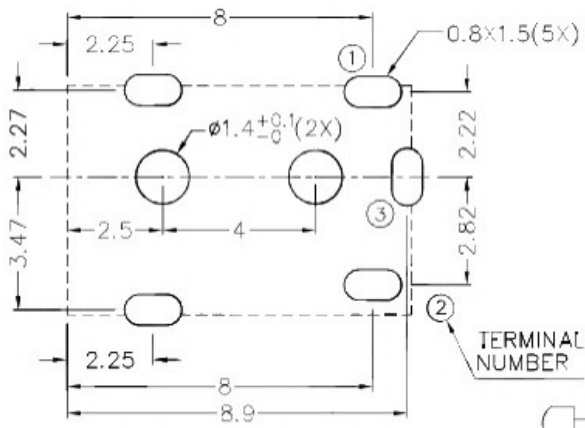
RoHS  
Compliant

ZONE	SYMBOL	REVISION	APPROVAL	DATE
		ADJUST THE RECOMMENDED DC	J.X.KUANG	8-10-2019
		MATING PLUG		



\* MATERIAL  
 CENTRE PIN : COPPER  
 TERMINAL 1 : BRASS  
 TERMINAL 2 : COPPER ALLOY  
 TERMINAL 3 : COPPER ALLOY  
 SHIELD : BRASS  
 HOUSING : THERMOPLASTIC

MODEL NO.	
SCHEMATIC	
CENTER PIN	φ1.000mm
	φ1.300mm



RECOMMENDED PCB LAYOUT  
 TOLERANCE: ±0.05  
 (TOP VIEW)



RECOMMENDED  
 DC MATING PLUG

广东科斯达开关厂

PART NAME	HIGH CURRENT DC POWER SOCKET	TOLERANCE UNLESS	0.0±0.2	UNIT:		DESIGN	J.H.ZHOU	DATE	26-2-2015	SCALE	5:1
		OTHERWISE SPECIFIED:	0.00±0.1 0.000±0.05			DRAWING	H.Q.ZHOU	DATE	8-10-2019	MATERIAL	*
PART NO.						CHECK	T.Y.LI	DATE	8-10-2019	DWG. NO.	12\DC03HS-B/1.1
						APPROVAL		DATE		SHEET	

F

E

D

C

B

A