

F

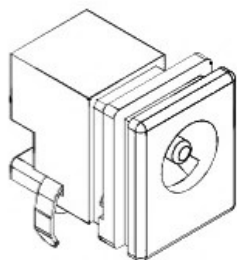
E

D

C

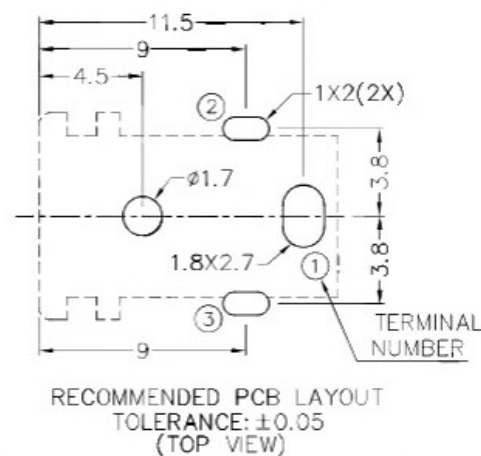
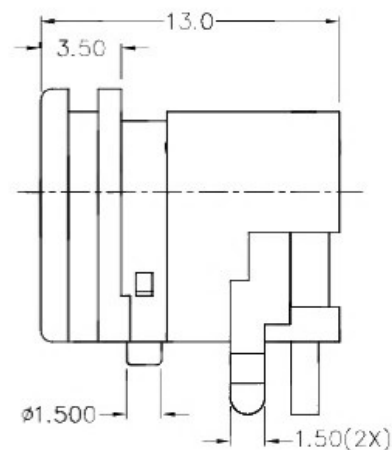
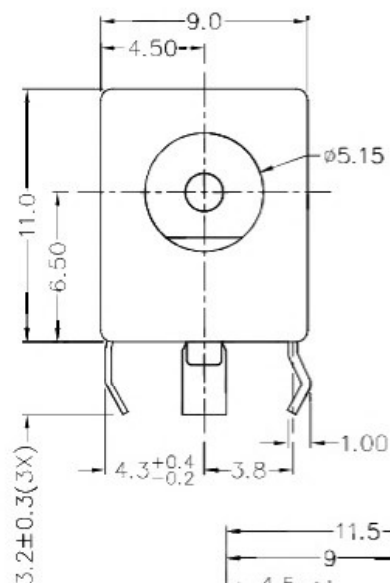
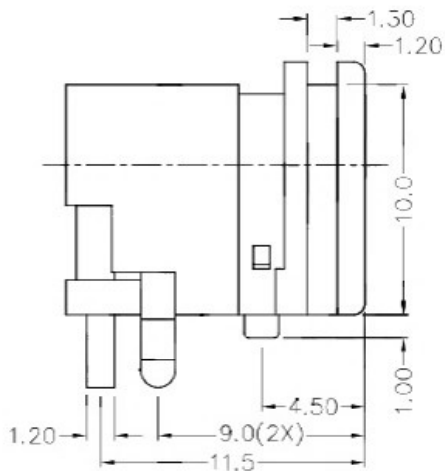
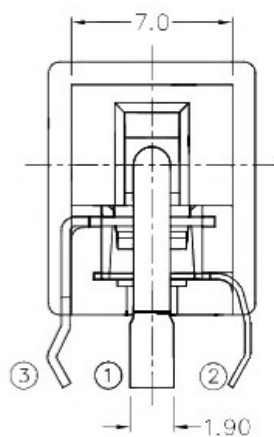
B

A



RoHS
Compliant

ZONE	SYMBOL	REVISION	APPROVAL	DATE
		ADJUST THE RECOMMENDED DC	J.X.KUANG	8-10-2019
		MATING PLUG		



SCHEMATIC		1
		2
		3
CENTRE PIN		∅1.650mm

* MATERIAL

TERMINAL 1 : COPPER
TERMINAL 2 : COPPER ALLOY
TERMINAL 3 : BRASS
HOUSING : THERMOPLASTIC

广东科斯达开关厂

PART NAME	DC POWER SOCKET	TOLERANCE UNLESS	0.0±0.2	UNIT:		DESIGN	J.X.KUANG	DATE	10-10-2003	SCALE	3:1
PART NO.		OTHERWISE SPECIFIED:	0.00±0.1 0.000±0.05	mm		DRAWING	H.Q.ZHOU	DATE	8-10-2019	MATERIAL	*
						CHECK	H.L.TAN	DATE	8-10-2019	DWG. NO.	TZ\DC024-B/1.1
						APPROVAL		DATE		SHEET	

F

E

D

C

B

A