

F

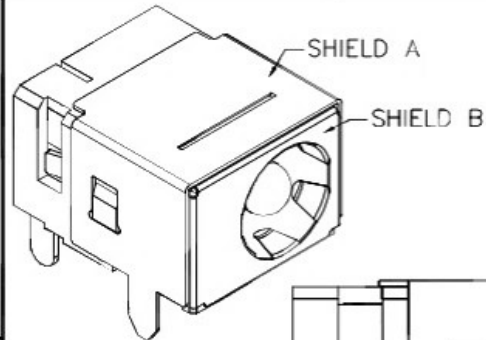
E

D

C

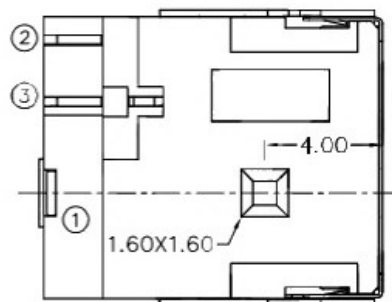
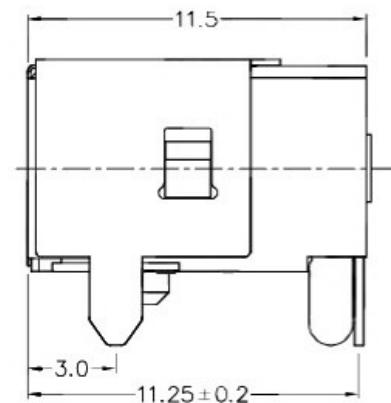
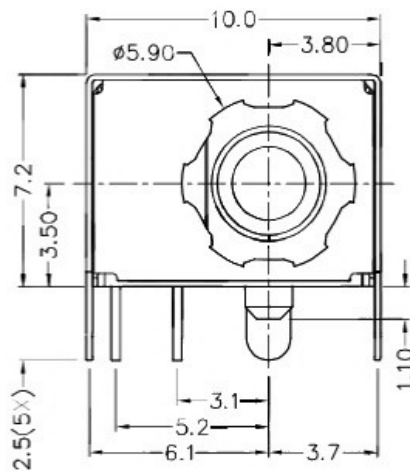
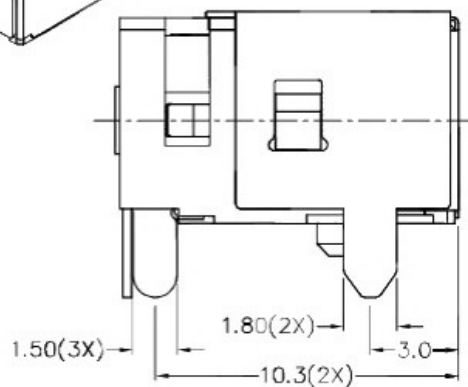
B

A



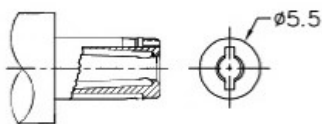
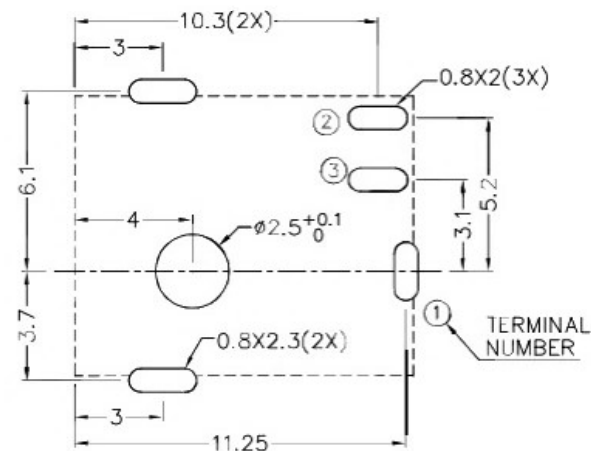
RoHS  
Compliant

ZONE	SYMBOL	REVISION	APPROVAL	DATE



\* MATERIAL

CENTRE PIN : COPPER  
 TERMINAL 1 : BRASS  
 TERMINAL 2 : COPPER ALLOY  
 TERMINAL 3 : BRASS  
 SHIELD-A : BRASS  
 SHIELD-B : STAINLESS STEEL  
 HOUSING : HIGH TEMP. PLASTIC



DC MATE PLUG

SCHEMATIC	
CENTER PIN	$\phi 1.65\text{mm}$ $\phi 2\text{mm}$ $\phi 2.5\text{mm}$

RECOMMENDED PCB LAYOUT  
 TOLERANCE:  $\pm 0.05$   
 (TOP VIEW)

广东科斯达开关厂

DESIGN	H.L.TAN	DATE	29-4-2010	SCALE	4:1
DRAWING	J.CH.OU	DATE	20-9-2016	MATERIAL	*
CHECK	T.Y.LI	DATE	20-9-2016	DWG. NO.	IZ\DC086HS-A/1.0
APPROVAL		DATE	20-9-2016	SHEET	

PART NAME	HIGH CURRENT DC POWER SOCKET	TOLERANCE UNLESS	$0.0\pm 0.2$	UNIT:	
PART NO.		OTHERWISE SPECIFIED:	$0.00\pm 0.1$ $0.000\pm 0.05$		

F

E

D

C

B

A