

F

E

D

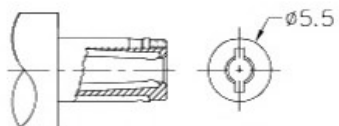
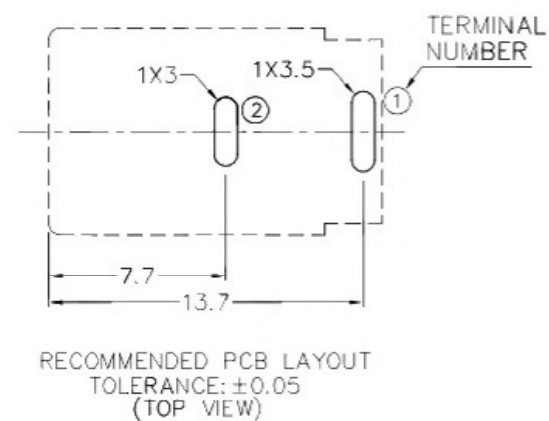
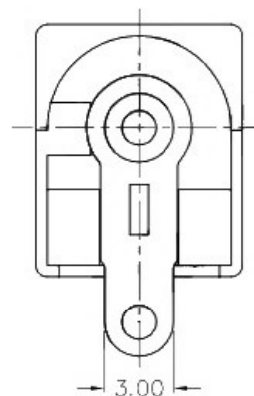
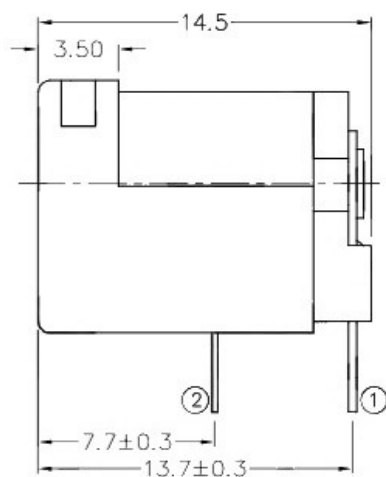
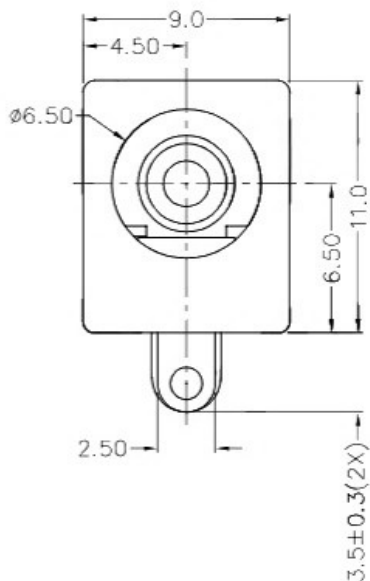
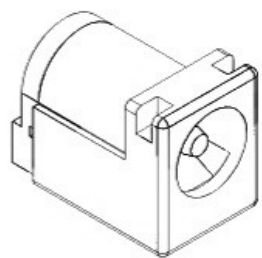
C

B

A

ZONE	SYMBOL	REVISION	APPROVAL	DATE

RoHS
Compliant



DC MATE PLUG

MODEL NO.	
SCHEMATIC	
CENTER PIN	ø2mm
	ø2.5mm

* MATERIAL

TERMINAL 1 : BRASS
 TERMINAL 2 : COPPER ALLOY
 CENTER PIN : COPPER
 HOUSING : THERMOPLASTIC
 COVER : THERMOPLASTIC

广东科斯达开关厂

PART NAME	DC POWER SOCKET	TOLERANCE UNLESS	0.0±0.2	UNIT:
PART NO.		OTHERWISE SPECIFIED:	0.00±0.1 0.000±0.05	

DESIGN	J.M.KWAN	DATE	20-8-2004	SCALE	3:1
DRAWING	H.Q.ZHOU	DATE	5-12-2016	MATERIAL	*
CHECK	T.Y.LI	DATE	5-12-2016	DWG. NO.	TZ\DC017-B/1.0
APPROVAL		DATE		SHEET	

F

E

D

C

B

A