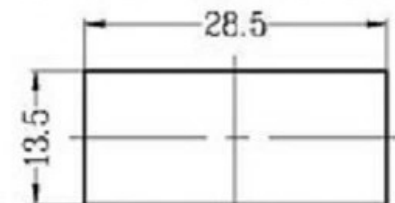
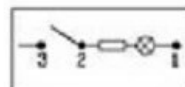
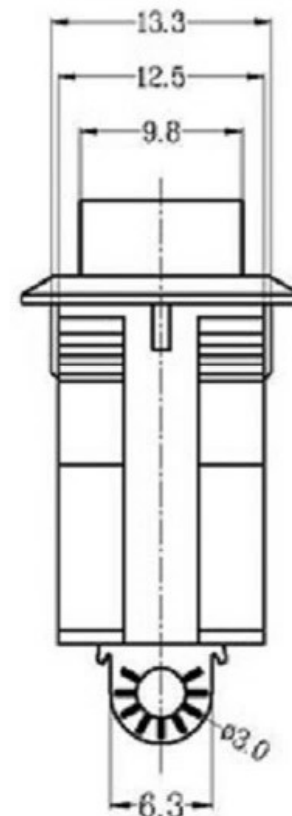
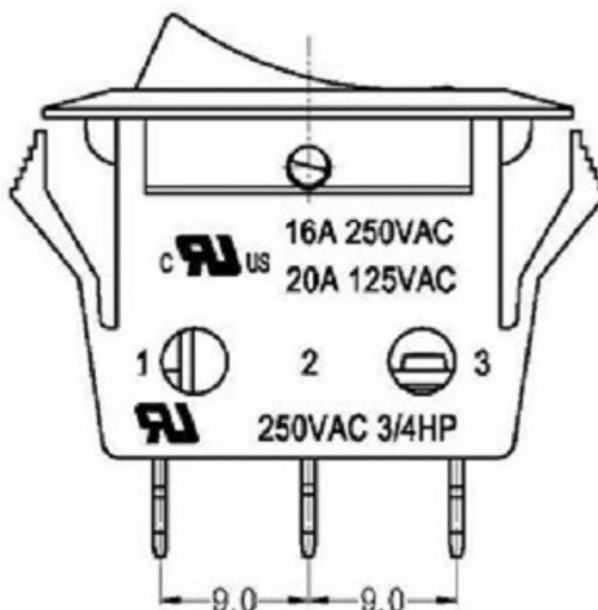
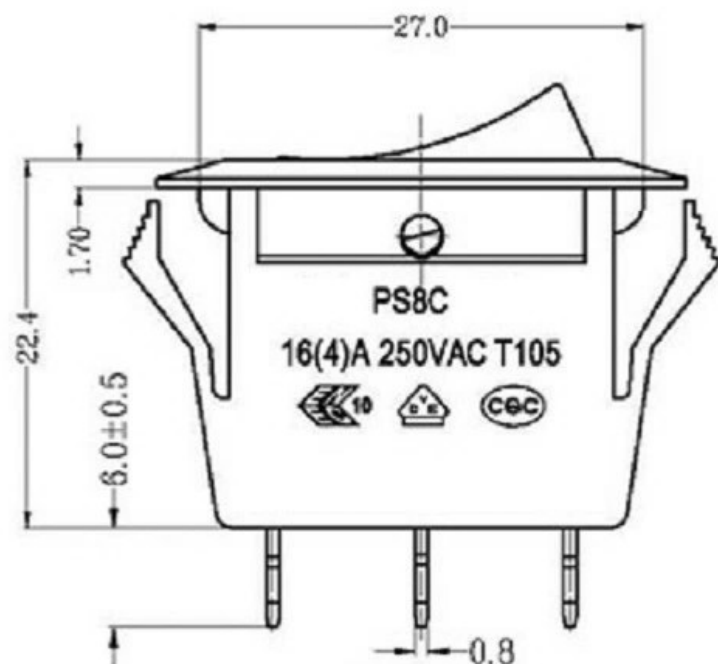


1. FUNCTION: OFF-ON
2. RATING: UL: 16A 250VAC 20A 125VAC 250VAC 3/4HP
ENEC VDE/CQC: 16(4)A 250VAC T105
3. OPERATION FORCE: 650±350g.f
4. CONTACT RESISTANCE: ≤ 50 mΩ
5. INSULATION RESISTANCE: ≤ 100 MΩ
6. DIELECTRIC WITHSTAND: TERMINAL TO BUTTON 3000VAC/5mA/1MINTUE
TERMINAL TO TERMINAL 1500VAC/5mA/1MINTUE
7. CIRCUIT DIAGRAM:

8. SUGGESTED PANEL HOLE SIZE:



PANEL CUT-OUT



A4				普通公差:	 广东科斯达电子科技有限公司 Guang dong Keside Electronic Technology Co., Ltd.								
A3				COMMON TOLERANCE :									
A2				UP TO 5	±0.20	单位	mm	投影		品名	跷板开关	比例	Free
A1				ABOVE 5 TO 30	±0.30	绘图	周金勇	核对	梁金勇	型号			
REV.	DATE	REVISION DESCRIPTION	ISSUE	ABOVE 30	±0.50	DRAWN BY		CHECKED BY		MODEL NO.			
				ANGULAR	±5°	日期	2015.8.17	核准	周培雷	图号			KSD-AC SWITCH
						DATE		APPROVAL BY		DWG NO.			