

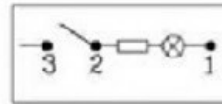
1. FUNCTION: OFF-ON  
 2. RATING: UL: 20(8)A 125/250VAC 25T125/55 5E4  
 CQC/KC: 16(4)A 250VAC T105  
 ENEC VDE: 16(4)A 250VAC T105/55  
 3. OPERATION FORCE: 650±350gf  
 4. CONTACT RESISTANCE: ≤ 50 mΩ  
 5. INSULATION RESISTANCE: ≥ 100 MΩ  
 6. DIELECTRIC WITHSTAND:

8. SUGGESTED PANEL HOLE SIZE:

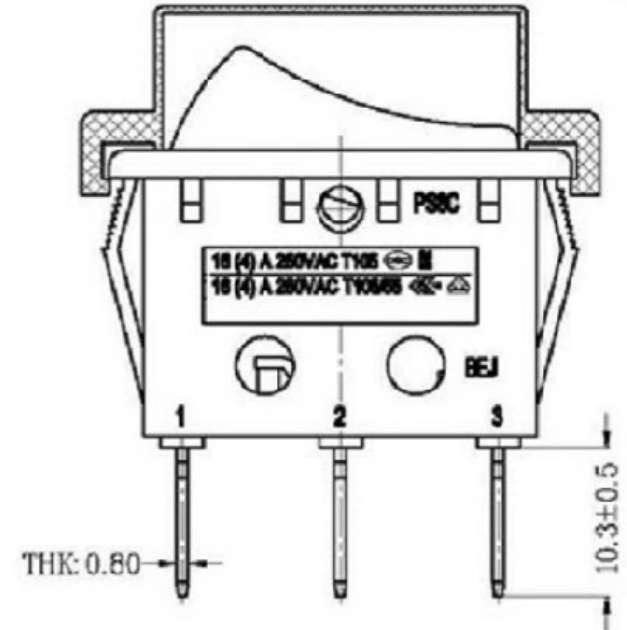
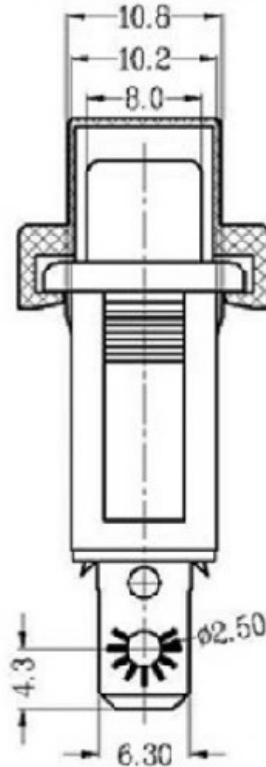
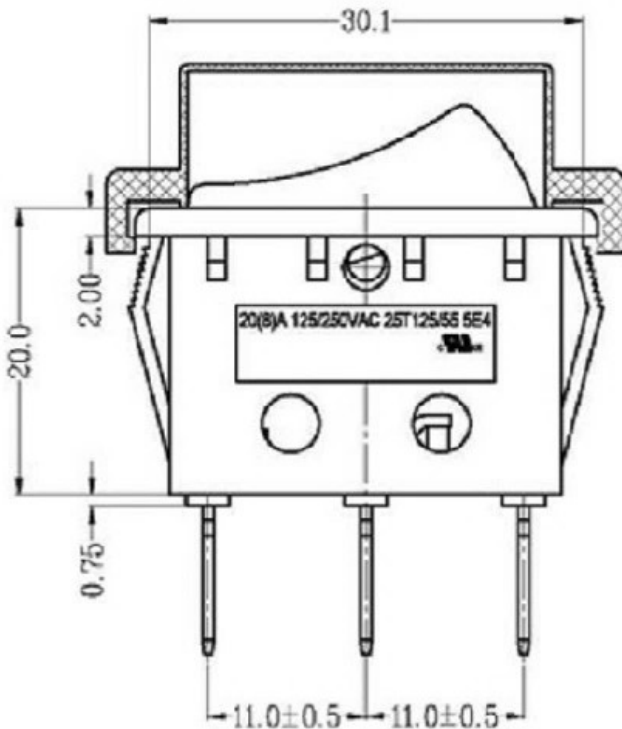
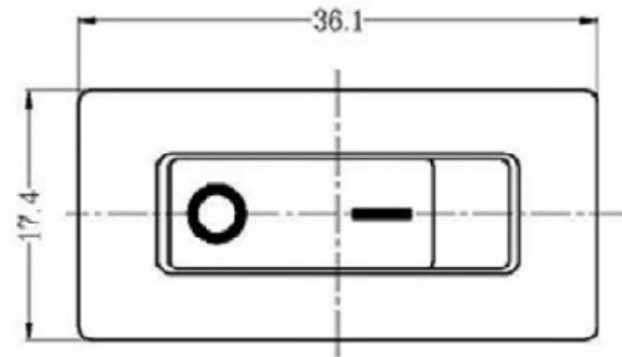
| PANEL THICKNESS | DIM. X |
|-----------------|--------|
| 0.75~1.25       | 30.1   |
| 1.25~2.0        | 30.3   |
| 2.0~3.0         | 30.6   |

7. CIRCUIT DIAGRAM:

TERMINAL TO BUTTON 3000VAC/5mA/1MINTUE  
 TERMINAL TO TERMINAL 1500VAC/5mA/1MINTUE



PANEL CUT-OUT



|      |      |                      |       |                    |   |    |           |    |     |          |      |    |               |
|------|------|----------------------|-------|--------------------|---|----|-----------|----|-----|----------|------|----|---------------|
| A4   |      |                      |       | 普通公差:              |  <b>广东科斯达电子科技有限公司</b><br>Guang dong Keside Electronic Technology Co., Ltd. |    |           |    |     |          |      |    |               |
| A3   |      |                      |       | COMMON TOLERANCE : |   |    |           |    |     |          |      |    |               |
| A2   |      |                      |       | UP TO 5            | ±0.20   | 单位 | mm        | 投影 | ⊕ ▷ | 品名       | 跷板开关 | 比例 | Free          |
| A1   |      |                      |       | ABOVE 5 TO 30      | ±0.30   | 绘图 | 周金勇       | 核对 | 梁金勇 | 型号       |      |    |               |
| REV. | DATE | REVISION DESCRIPTION | ISSUE | ABOVE 30           | ±0.50   | 日期 | 2015.8.17 | 核准 | 周培雷 | 图号       |      |    |               |
|      |      |                      |       | ANGULAR            | ±5°   | 日期 |           | 核准 |     | DWG. NO. |      |    | KSD-AC SWITCH |