

### SPEC:

#### A. Material:

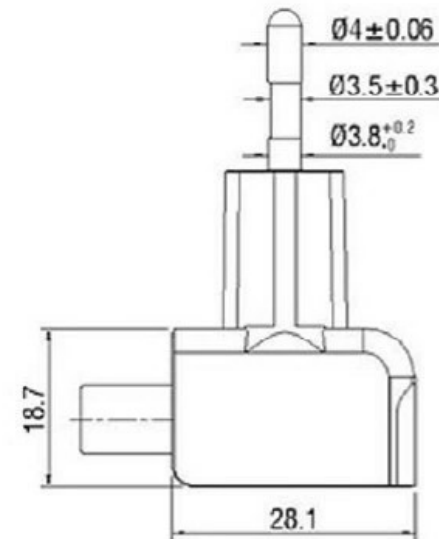
1. Housing: PC
2. Terminal: PHOSPHOR COPPER, NI PLATED
3. PIN: PC + COPPER ALLOY, NI PLATED

#### B. Electrical Characteristics:

1. Rating: 2.5A 250V ~
2. Electric Strength: AC 2.000 V FOR ONE MINUTE
3. Insulation Resistance: 100MΩ MIN, AT 500V DC

#### C. Other requirements :

1. The unmarked socket size must meet the requirement of European Safety standard



普通公差

COMMON TOLERANCE :

UP TO 5	$\pm 0.20$
ABOVE 5 TO 30	$\pm 0.30$
ABOVE 30	$\pm 0.50$
ANGULAR	$\pm 5^\circ$



**广东科斯达电子科技有限公司**  
Guang dong Keside Electronic Technology Co., Ltd.

REV.	DATE	REVISION DESCRIPTION	ISSUE	单位 UNIT	mm	投影 PROJECTED		品名 PRODUCT NAME	AC power socket
				绘图 DRAWN BY	林晓良	核对 CHECKED BY	张平	型号 MODEL NO.	
				日期 DATE	19. 08. 12	核准 APPROVAL BY	周培雷	料号 PART NO.	KSD-AC JACK