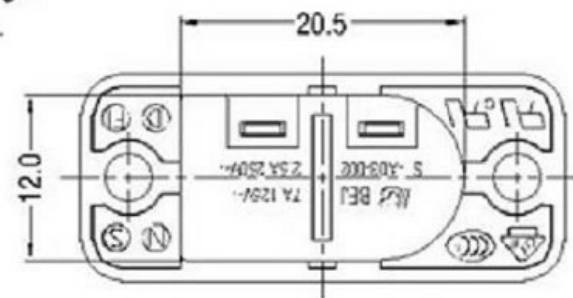
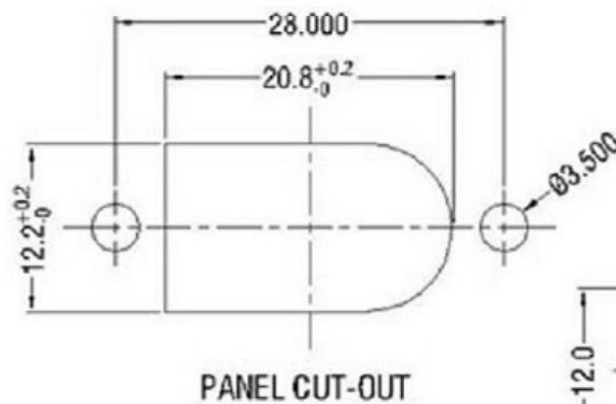
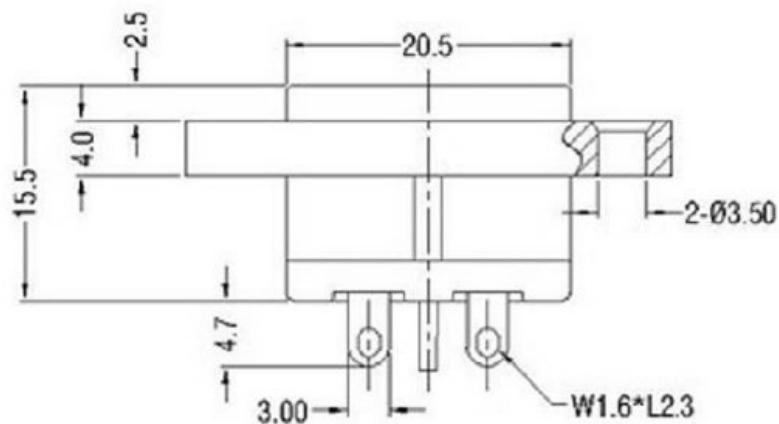


**SPEC:**  
**A. Material:**  
 1. Housing: PA66  
 2. Terminal: COPPER ALLOY, TIN&NI PLATED  
**B. Electrical Characteristics:**  
 1. Rating: 2.5A 250V ~ (UL, CUL, CCC, VDE, DEMKO, NEMKO, SEMKO, FIMKO) 7A 125V~ (UL, CUL)  
 2. Electric Strength: AC 2,000 V FOR ONE MINUTE  
 3. Insulation Resistance: 100MΩ MIN, AT 500V DC  
**C. Approvals:**  
 UL, CUL, CCC, VDE, DEMKO, NEMKO, SEMKO, FIMKO



				普通公差 COMMON TOLERANCE :	 <b>广东科斯达电子科技有限公司</b> Guang dong Keside Electronic Technology Co., Ltd.				品名 PRODUCT NAME	AC power socket
				UP TO 5 ±0.20					单位 UNIT	mm
				ABOVE 5 TO 30 ±0.30	绘图 DRAWN BY	林晓良	核对 CHECKED BY	张平	料号 PART NO.	
REV.	DATE	REVISION DESCRIPTION	ISSUE	ABOVE 30 ±0.50	日期 DATE	19. 08. 12	核准 APPROVAL BY	周培雷		KSD-AC JACK
				ANGULAR ±5°						