

SPEC:

A. Material

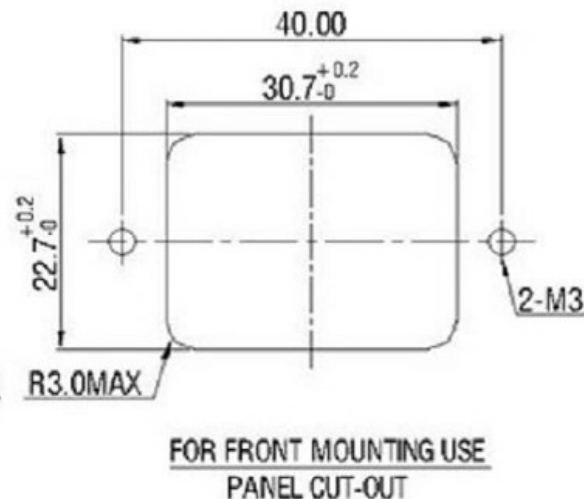
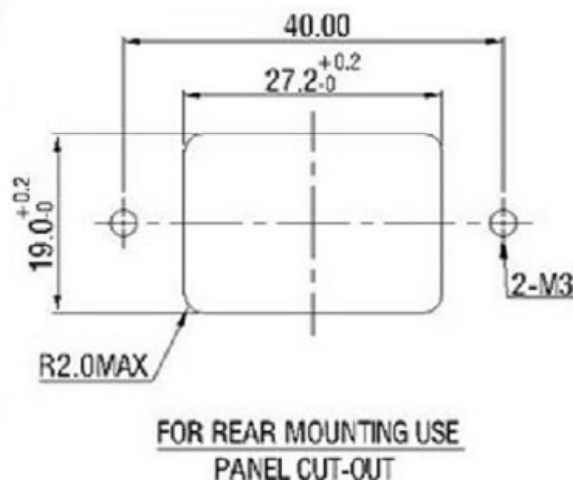
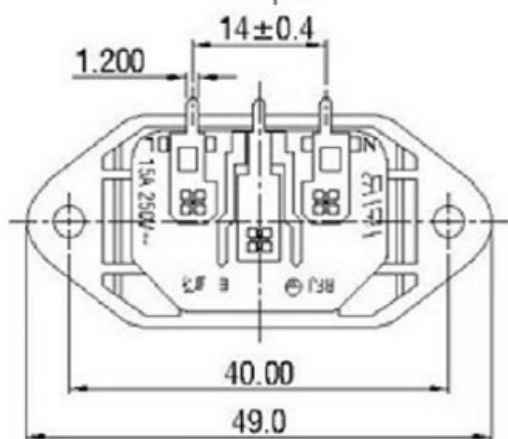
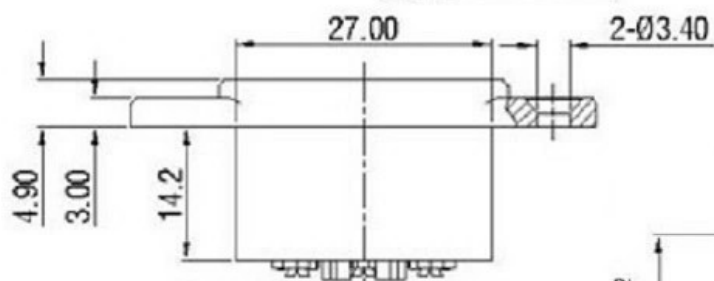
1. Housing: PBT WITH G/F30% UL 94V-0
2. Terminal: COPPER ALLOY, TIN PLATED

B. Electrical Characteristics:

1. Rating: 15A 250V~ (UL, CUL)
- 10A 250V~ (CCC, VDE, SEMKO, NEMKO, FIMKO, DEMKO, SAA, KC)
2. Electric Strength: AC 2,000 V FOR ONE MINUTE
3. Insulation Resistance: 100MΩ MIN, AT 500V DC

C. Approvals:

UL, CUL, CCC, VDE, SEMKO, NEMKO, FIMKO, DEMKO, SAA, KC



				普通公差 COMMON TOLERANCE:	 广东科斯达电子科技有限公司 Guang dong Keside Electronic Technology Co., Ltd.					
				UP TO 5 ±0.20					单位	mm
				ABOVE 5 TO 30 ±0.30	绘图	林晓良	核对	张平	型号	
				ABOVE 30 ±0.50	日期	19. 08. 12	核准	周培雷	料号	KSD-AC JACK
REV.	DATE	REVISION DESCRIPTION	ISSUE	ANGULAR ±5°						