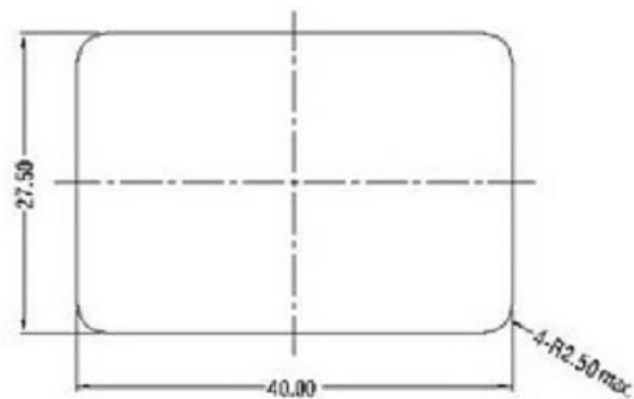
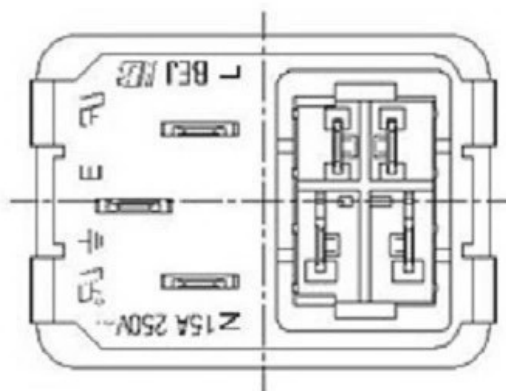
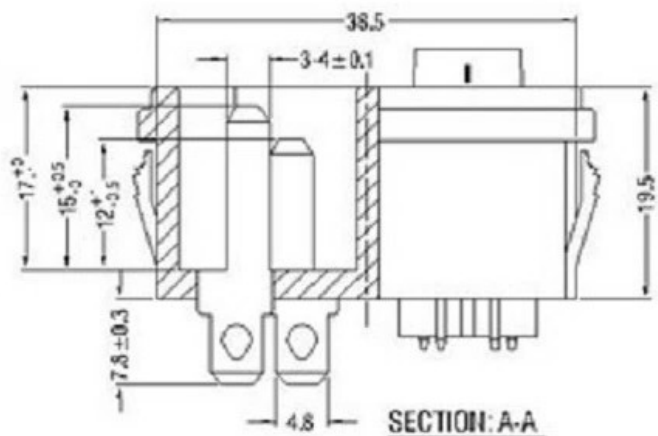


SPEC:
A. Material:
 1. Housing: PA66
 2. Terminal: COPPER ALLOY, TIN PLATED
B. Electrical Characteristics:
 1. Rating: 15A 250V~ (UL, CUL)
 10A 250V~ (CCC, VDE, SEMKO, NEMKO, FIMKO, DEMKO)
 2. Electric Strength: AC 2,000 V FOR ONE MINUTE
 3. Insulation Resistance: 100MΩ MIN, AT 500V DC
C. Approvals:
 UL, CUL, CCC, VDE, SEMKO, NEMKO, FIMKO, DEMKO



				普通公差 COMMON TOLERANCE :	 广东科斯达电子科技有限公司 Guang dong Keside Electronic Technology Co., Ltd.						
				UP TO 5	±0.20	单位 UNIT	mm	投影 PROJECTED		品名 PRODUCT NAME	AC power socket
				ABOVE 5 TO 30	±0.30	绘图 DRAWN BY	林晓良	核对 CHECKED BY	张平	型号 MODEL NO.	
				ABOVE 30	±0.50	日期 DATE	19. 08. 12	核准 APPROVAL BY	周培雷	料号 PART NO.	KSD-AC JACK
REV.	DATE	REVISION DESCRIPTION	ISSUE	ANGULAR	±5°						