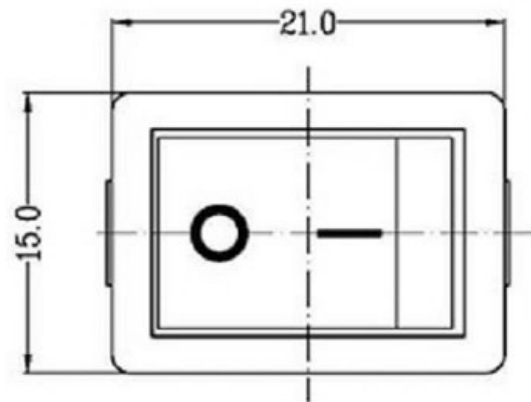
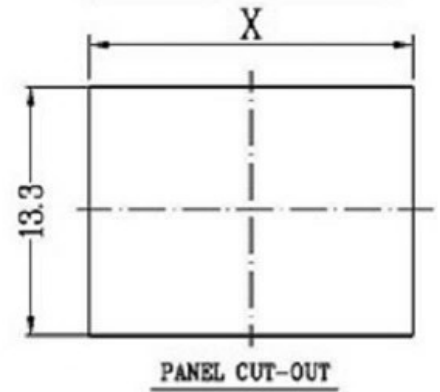


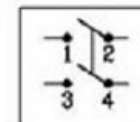
8. SUGGESTED PANEL HOLE SIZE:

PANEL THICKNESS	DIM.X
0.75-1.25	19.2/19.1
1.25-2.0	19.4/19.3
2.0-3.0	19.8/19.7



1. FUNCTION: OFF-ON  
OFF-ON
2. RATING: UL: 250VAC1/2HP 8A 250VAC 1/4HP 10A 125VAC 1/4HP  
CQC: 6A/12A 250VAC  
ENEC VDE: 6(4)A 250VAC  $\mu$  T105
3. OPERATION FORCE: 700 $\pm$ 300g.f
4. CONTACT RESISTANCE:  $\leq$  50 m $\Omega$
5. INSULATION RESISTANCE:  $\geq$ 100 M $\Omega$
6. DIELECTRIC WITHSTAND:  
TERMINAL TO BUTTON 3000VAC/5mA/1MINTUE  
TERMINAL TO TERMINAL 1500VAC/5mA/1MINTUE

7. CIRCUIT DIAGRAM:



A4				普通公差:	 <b>广东科斯达电子科技有限公司</b> Guang dong Keside Electronic Technology Co., Ltd.								
A3				COMMON TOLERANCE :									
A2				UP TO 5	$\pm$ 0.20	单位	mm	投影		品名	跳板开关	比例	Free
A1				ABOVE 5 TO 30	$\pm$ 0.30	绘图	周金勇	核对	梁金勇	型号			
REV.	DATE	REVISION DESCRIPTION	ISSUE	ANGULAR	$\pm$ 5°	日期	2015.8.17	核准	周培雷	图号			
								APPROVAL BY		DWG NO.	KSD-AC SWITCH		