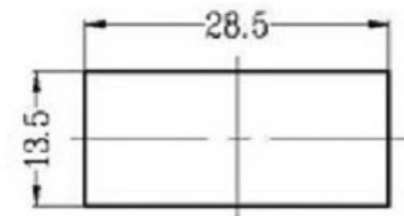


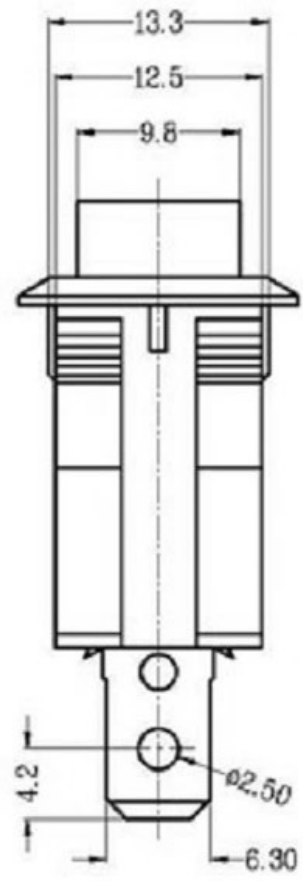
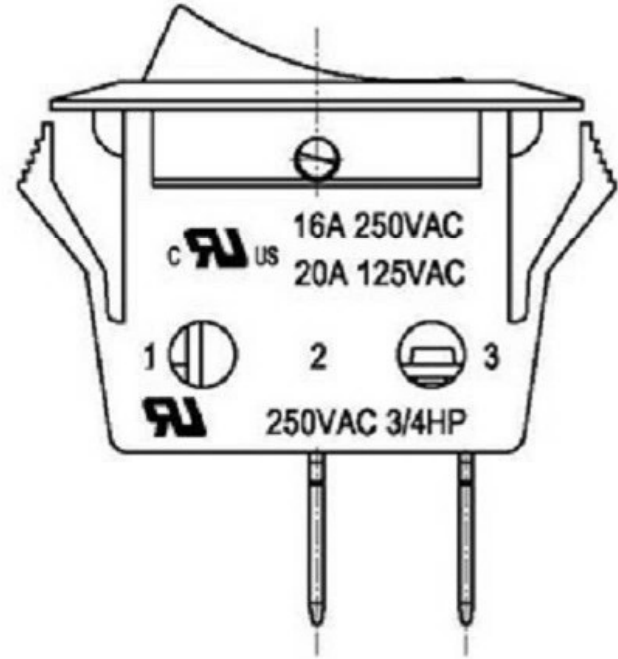
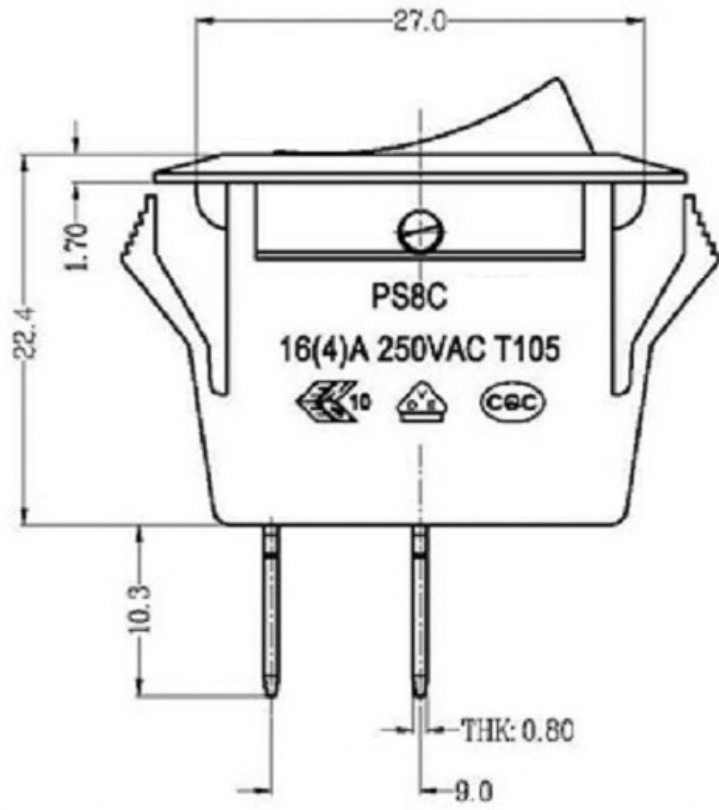
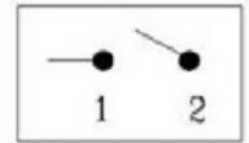
- 1. FUNCTION: OFF-ON
- 2. RATING: UL: 16A 250VAC 20A 125VAC 250VAC 3/4HP
ENEC VDE/CQC: 16(4)A 250VAC T105
- 3. OPERATION FORCE: 650±350g.f
- 4. CONTACT RESISTANCE: ≤ 50 mΩ
- 5. INSULATION RESISTANCE: ≤ 100 MΩ
- 6. DIELECTRIC WITHSTAND: TERMINAL TO BUTTON 3000VAC/5mA/1MIN/TUE
TERMINAL TO TERMINAL 1500VAC/5mA/1MIN/TUE

8. SUGGESTED PANEL HOLE SIZE:



PANEL CUT-OUT

7. CIRCUIT DIAGRAM:



A4				普通公差:	 广东科斯达电子科技有限公司 Guang dong Keside Electronic Technology Co., Ltd.								
A3				COMMON TOLERANCE :									
A2				UP TO 5	±0.20	单位	mm	投影	⊕ ⊲	品名	跳板开关	比例	Free
A1				ABOVE 5 TO 30	±0.30	绘图	周金勇	核 对	梁金勇	型号	KSD-AC SWITCH		
				ABOVE 30	±0.50	DRAWN BY		CHECKED BY		图号			
REV.	DATE	REVISION DESCRIPTION	ISSUE	ANGULAR	±5°	日期	2015.8.17	核 准	周培雷	DWG NO.			