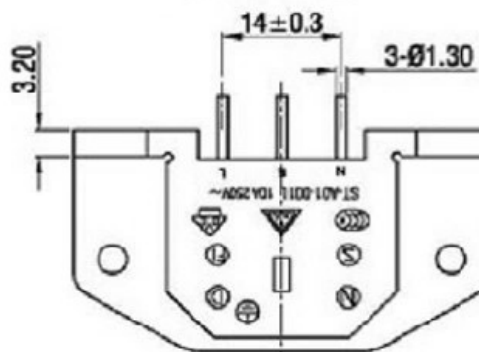


SECTION A-A



SPEC:

A. Material:

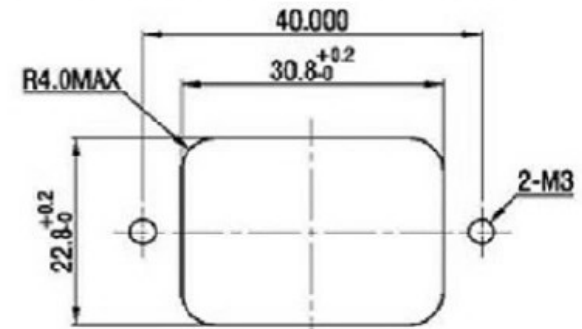
1. Housing: PBT WITH G/F30% UL 94V-0
2. Terminal: COPPER ALLOY, TIN PLATED

B. Electrical Characteristics:

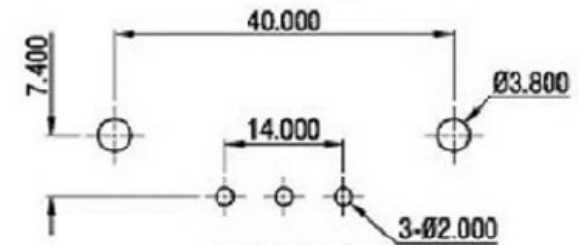
1. Rating: 15A 250V~ (UL, CUL)
- 10A 250V~ (CCC, VDE, SEMKO, NEMKO, FIMKO, DEMKO, SAA)
2. Electric Strength: AC 2,000 V FOR ONE MINUTE
3. Insulation Resistance: 100MΩ MIN, AT 500V DC

C. Approvals:

UL, CUL, CCC, VDE, SEMKO, NEMKO, FIMKO, DEMKO, SAA



PANEL CUT-OUT



PCB LAYOUT

普通公差

COMMON TOLERANCE :

UP TO 5	±0.20
ABOVE 5 TO 30	±0.30
ABOVE 30	±0.50
ANGULAR	±5°

单位
UNIT
mm
绘图
DRAWN BY
日期
DATE

林晓良
19.08.12

投影
PROJECTED
核
CHECKED BY
核
APPROVAL BY

张平
周培雷

品名
PRODUCT NAME
型号
MODEL NO.
料号
PART NO.

AC power socket

KSD-AC JACK

REV. DATE REVISION DESCRIPTION ISSUE

广东科斯达电子科技有限公司
Guang dong Keside Electronic Technology Co., Ltd.