

SECTION A-A

SPEC:

A. Material

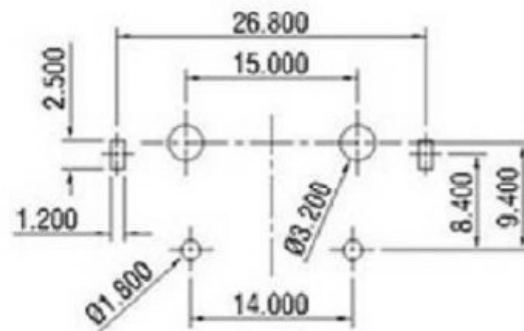
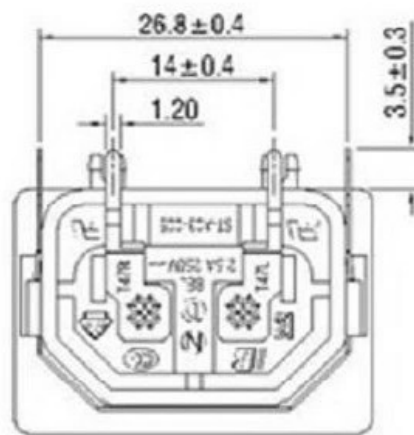
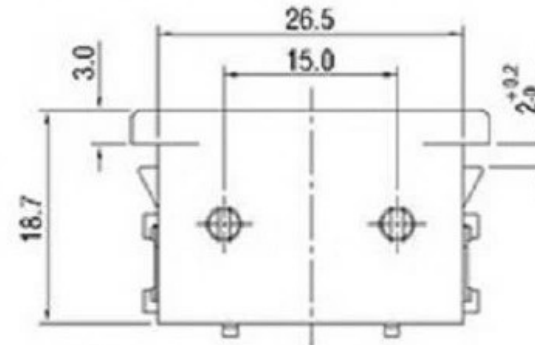
1. Housing: PA66 WITH GF10% UL 94V-0
2. Terminal: COPPER ALLOY, TIN PLATED

B. Electrical Characteristics:

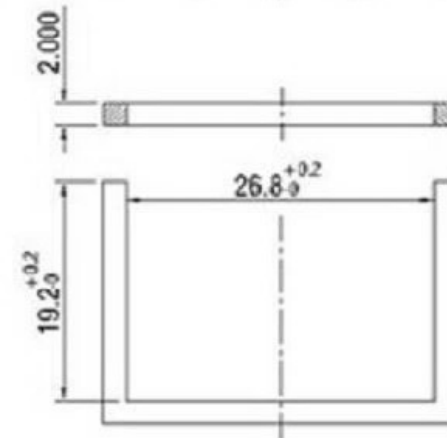
1. Rating: 2.5A 250V~ (UL, CUL, VDE, CCC, DEMKO, IEMKO, KC)
2. Electric Strength: AC 2,000 V FOR ONE MINUTE
3. Insulation Resistance: 100MΩ MIN. AT 500VDC

C. Approvals:

UL, CUL, VDE, CCC, DEMKO, IEMKO, KC



PCB LAYOUT



PANEL CUT-OUT

普通公差

COMMON TOLERANCE :

UP TO 5	±0.20
ABOVE 5 TO 30	±0.30
ABOVE 30	±0.50
ANGULAR	±5°

单位
UNIT
mm
绘图
DRAWN BY
日期
DATE

林晓良
周培雷

广东科斯达电子科技有限公司
Guang dong Keside Electronic Technology Co., Ltd.

投影
PROJECTED
核
CHECKED BY
核
APPROVAL BY

张平
周培雷

品名
PRODUCT NAME
型
MODEL NO.
料号
PART NO.

AC power socket
KSD-AC JACK

REV.	DATE	REVISION DESCRIPTION	ISSUE