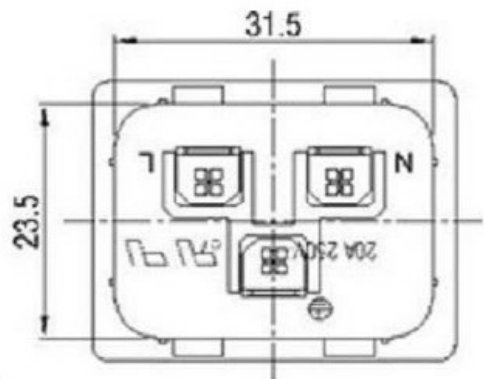
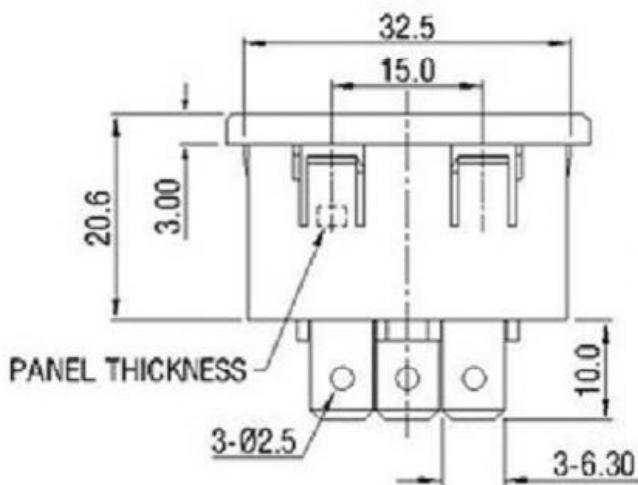


SECTION A-A



**SPEC:**

**A. Material:**

1. Housing: PA66
2. Terminal: COPPER ALLOY, TIN PLATED

**B. Electrical Characteristics:**

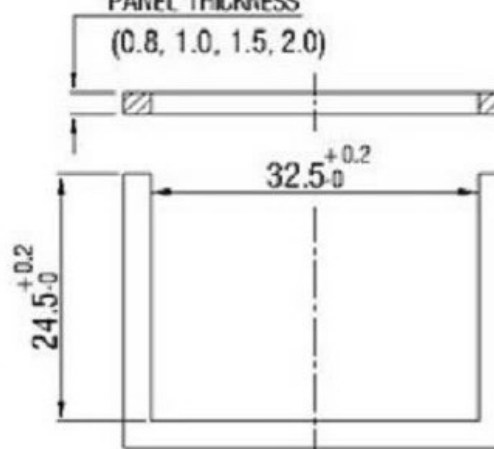
1. Rating: 20A 250V--(UL, CUL)  
16A 250V--(CCC, ENEC)
2. Electric Strength: AC 2,000 V FOR ONE MINUTE
3. Insulation Resistance: 100MΩ MIN. AT 500V DC

**C. Approvals:**

UL, CUL, CCC, ENEC

**PANEL THICKNESS**

(0.8, 1.0, 1.5, 2.0)



PANEL CUT-OUT

PART NO.:	DIM. X
ST-A06-001K-WW(0.8.HP)	0.9
ST-A06-001K-WW(1.0.HP)	1.1
ST-A06-001K-WW(1.5.HP)	1.6
ST-A06-001K-WW(2.0.HP)	2.1

普通公差

COMMON TOLERANCE :

UP TO 5	±0.20
ABOVE 5 TO 30	±0.30
ABOVE 30	±0.50
ANGULAR	±5°



**广东科斯达电子科技有限公司**  
Guang dong Keside Electronic Technology Co., Ltd.

REV.	DATE	REVISION DESCRIPTION	ISSUE	单位	mm	投影	品名	AC power socket
				UNIT		PROJECTED	PRODUCT NAME	
				绘图	林晓良	核对	型号	
				DRAWN BY		CHECKED BY	张平	
				日期	19. 08. 12	核准	料号	
				DATE		APPROVAL BY	周培雷	
							PART NO.	KSD-AC JACK