

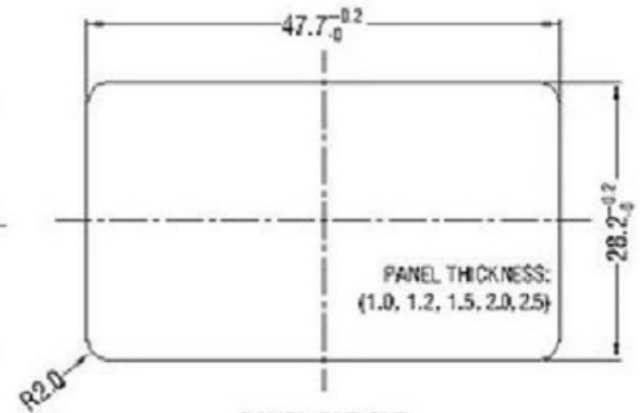
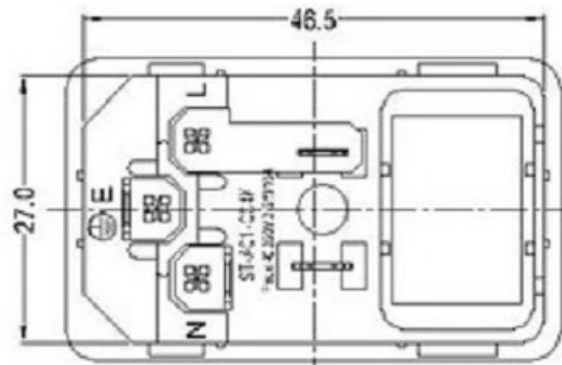
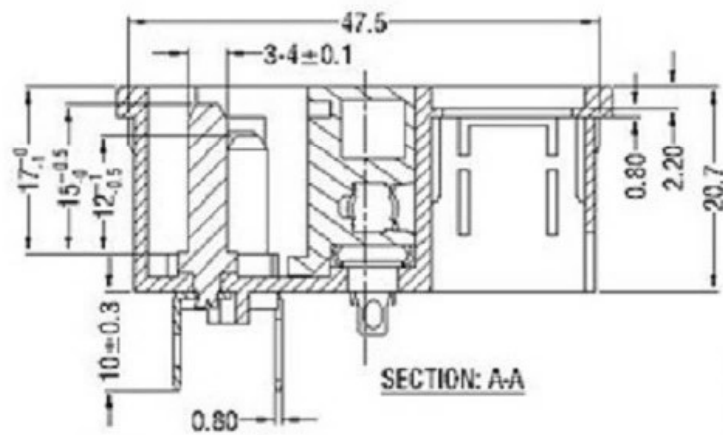
SPEC:

A. Material:
 1. Housing: PA66

2. Terminal: COPPER ALLOY, TIN PLATED

B. Electrical Characteristics:
 1. Rating: 10A 250V~
 2. Electric Strength: AC 2,000 V FOR ONE MINUTE
 3. Insulation Resistance: 100MΩ MIN, AT 500V DC

C. Approvals:
 UL, GUL, CCC, ENEC



Part No.:	DIM. X
ST-A01-004K-JY-010-D	1.0
ST-A01-004K-JY-012-D	1.2
ST-A01-004K-JY-015-D	1.5
ST-A01-004K-JY-020-D	2.0
ST-A01-004K-JY-025-D	2.5

				普通公差 COMMON TOLERANCE :	广东科斯达电子科技有限公司 Guang dong Keside Electronic Technology Co., Ltd.				品名 PRODUCT NAME	AC power socket
				UP TO 5 ±0.20						
				ABOVE 5 TO 30 ±0.30	绘图 DRAWN BY	林晓良	核对 CHECKED BY	张平	型号 MODEL NO.	
REV.	DATE	REVISION DESCRIPTION	ISSUE	ABOVE 30 ±0.50	日期 DATE	19. 08. 12	核准 APPROVAL BY	周培雷	料号 PART NO.	KSD-AC JACK
				ANGULAR ±5°						