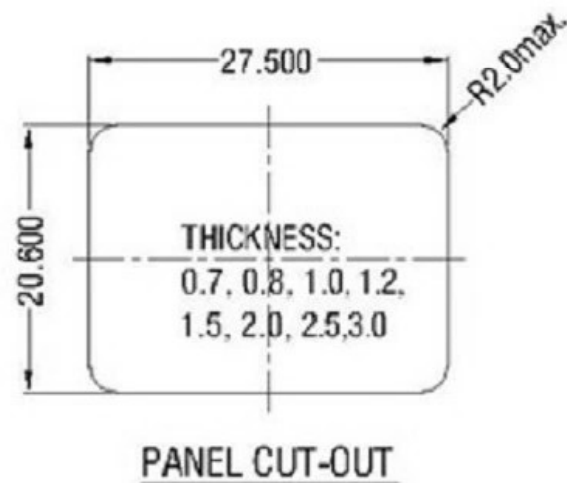
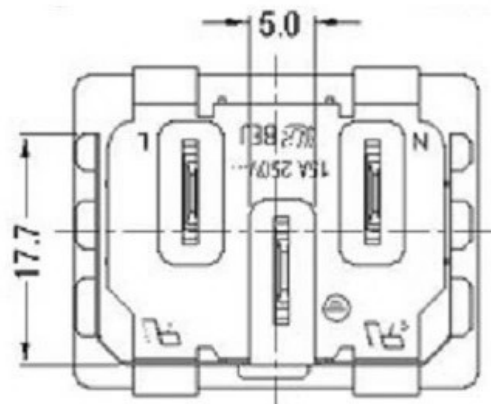
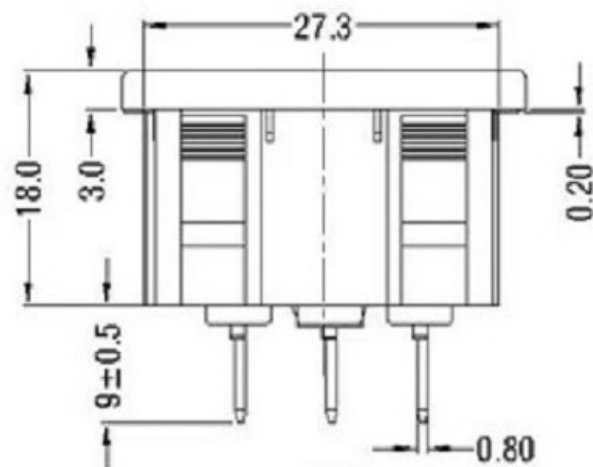


SECTION A-A

SPEC:
A. Material
 1. Housing: PAG6
 2. Terminal: COPPER ALLOY, TIN PLATED
B. Electrical Characteristics:
 1. Rating: 15A 250V~ (UL,CUL)
 10A 250V~ (CCC, VDE, SEMKO, NEMKO, FIMKO, DEMKO, SAA, KC)
 2. Electric Strength: AC 2,000 V FOR ONE MINUTE
 3. Insulation Resistance: 100MΩ MIN, AT 500V DC
C. Approvals:
 UL, CUL, CCC, VDE, SEMKO, NEMKO, FIMKO, DEMKO, SAA, KC



PANEL CUT-OUT

| | | | | | | | | | | |
|------|------|----------------------|-------|----------------------------|---|------------|----|-----|-------------|----|
| | | | | 普通公差 COMMON TOLERANCE : |  广东科斯达电子科技有限公司 Guang dong Keside Electronic Technology Co., Ltd. | | | | | |
| | | | | UP TO 5 ±0.20 | | | | | 单位 | mm |
| | | | | ABOVE 5 TO 30 ±0.30 | 绘图 | 林晓良 | 核校 | 张平 | 型号 | |
| | | | | ABOVE 30 ±0.50 | 日期 | 19. 08. 12 | 核校 | 周培雷 | 料号 | |
| REV. | DATE | REVISION DESCRIPTION | ISSUE | ANGULAR ±5° | 日期 | 19. 08. 12 | 核校 | 周培雷 | KSD-AC JACK | |