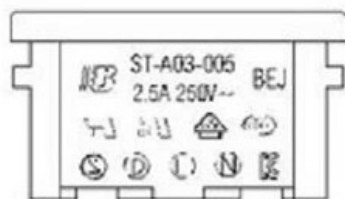
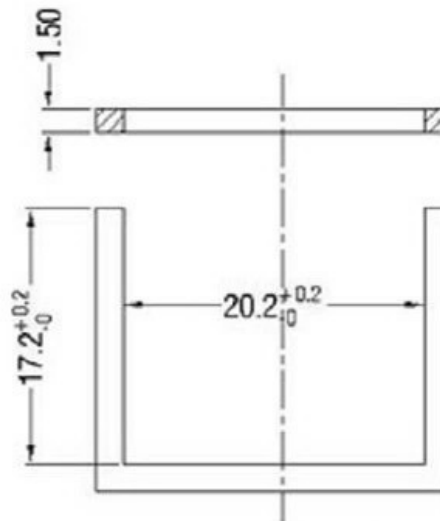


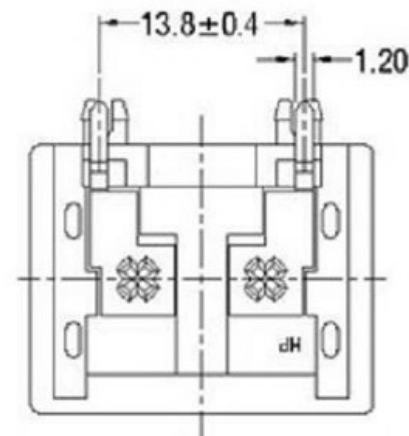
SECTION: A-A



MARK



PANEL CUT-OUT



SPEC:

A. Material:

1. Housing: PA66(HP)

2. Terminal: COPPER ALLOY, TIN PLATED

B. Electrical Characteristics:

1. Rating: 2.5A 250V~

(UL, CUL, CCC, VDE, SEMKO, NEMKO, FIMKO, DEMKO, KC)

2. Electric Strength: AC 2,000 V FOR ONE MINUTE

3. Insulation Resistance: 100MΩ MIN. AT 500V DC

C. Approvals:

UL, CUL, CCC, VDE, SEMKO, NEMKO, FIMKO, DEMKO, KC

普通公差

COMMON TOLERANCE :

UP TO 5	±0.20
ABOVE 5 TO 30	±0.30
ABOVE 30	±0.50
ANGULAR	±5°

单位 UNIT	mm
绘图 DRAWN BY	林晓良
日期 DATE	19. 08. 12

投影 PROJECTED	第一角
核对 CHECKED BY	张平
核准 APPROVAL BY	周培雷



广东科斯达电子科技有限公司
Guang dong Keside Electronic Technology Co., Ltd.

品名 PRODUCT NAME	AC power socket
型号 MODEL NO.	
料号 PART NO.	KSD-AC JACK

REV.	DATE	REVISION DESCRIPTION	ISSUE
------	------	----------------------	-------