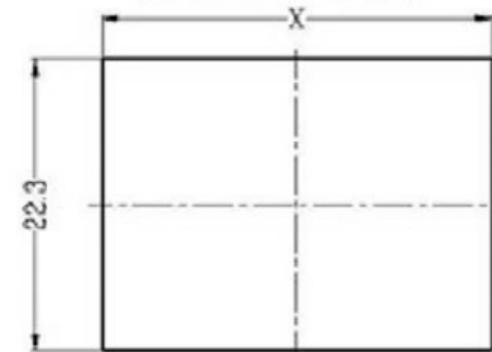


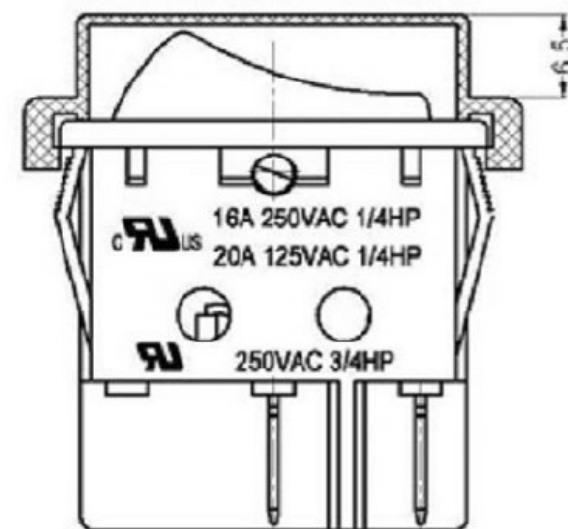
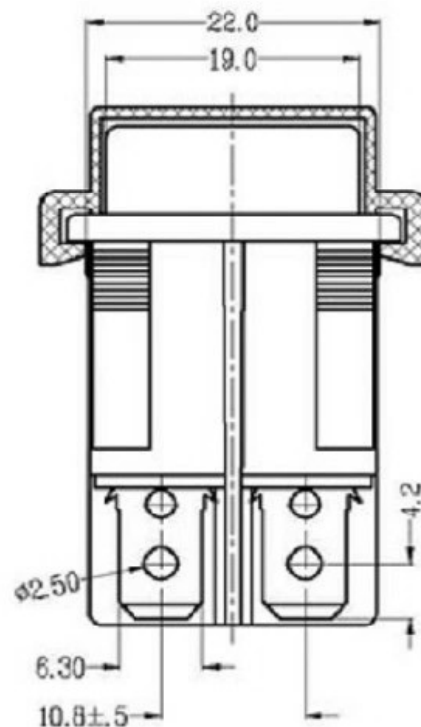
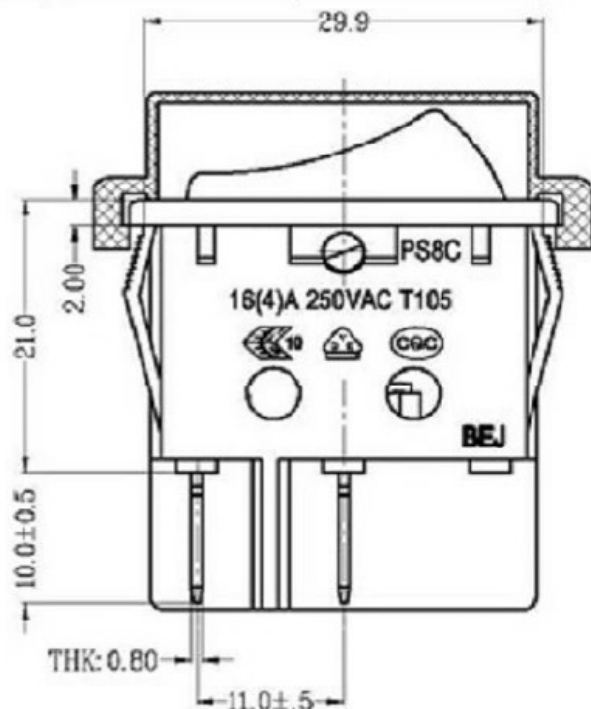
1. FUNCTION: OFF-ON
OFF-ON
2. RATING: UL: 16A 250VAC 1/4HP 20A 125VAC 1/4HP 250VAC 3/4HP
ENEC VDE/CQC: 16(4)A 250VAC T105
3. OPERATION FORCE: 650±350g.f
4. CONTACT RESISTANCE: ≤ 50 mΩ
5. INSULATION RESISTANCE: ≥ 100 MΩ
6. DIELECTRIC WITHSTAND: TERMINAL TO BUTTON 3000VAC/5mA/1MIN/TUE
TERMINAL TO TERMINAL 1500VAC/5mA/1MIN/TUE

8. SUGGESTED PANEL HOLE SIZE:

PANEL THICKNESS	DIM. X
0.75~1.25	30.1/30.0
1.25~2.0	30.3/30.2
2.0~3.0	30.6/30.5



PANEL CUT-OUT



A4			
A3			
A2			
A1			
REV.	DATE	REVISION DESCRIPTION	ISSUE

普通公差:
COMMON TOLERANCE:

UP TO 5	±0.20
ABOVE 5 TO 30	±0.30
ABOVE 30	±0.50
ANGULAR	±5°

广东科斯达电子科技有限公司
Guangdong Keside Electronic Technology Co., Ltd.

单位 UNIT	mm	投影 PROJECTED		品名 PRODUCT NAME	跳板开关	比例 SCALE	Free
绘图 DRAWN BY	周金勇	核对 CHECKED BY	梁金勇	型号 MODEL NO.			
日期 DATE	2015.8.17	核准 APPROVAL BY	周培雷	图号 DWG NO.			

KSD-AC SWITCH