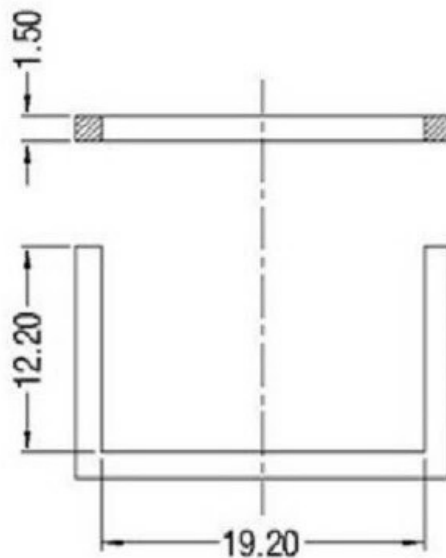
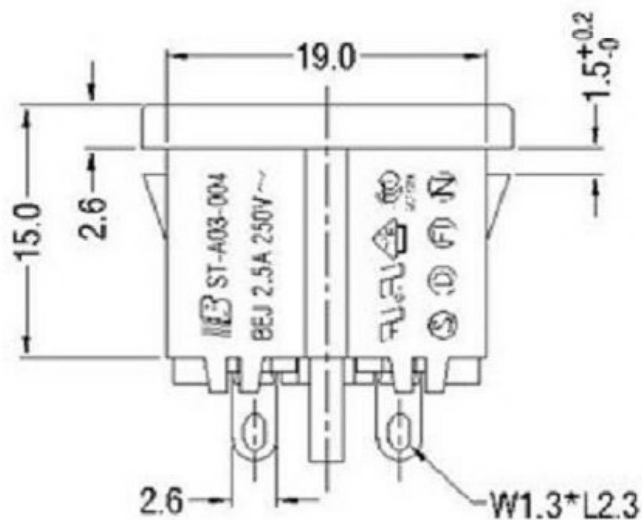


SECTION: A-A



PANEL CUT-OUT

SPEC:

A. Material:

1.Housing: PBT

2.Terminal: COPPER ALLOY, TIN PLATED

B. Electrical Characteristics:

1.Rating: 2.5A 250V~ (UL,CUL,CCC,VDE,SEMKO,NEMKO,FIMKO,DEMKO)

2.Electric Strength: AC 2,000 V FOR ONE MINUTE

3.Insulation Resistance: 100MΩ MIN. AT 500V DC

C.Approvals:

UL, CUL, CCC, VDE, SEMKO, NEMKO, FIMKO, DEMKO

				普通公差 COMMON TOLERANCE :	 广东科斯达电子科技有限公司 Guang dong Keside Electronic Technology Co., Ltd.					
				UP TO 5 ±0.20						单位
				ABOVE 5 TO 30 ±0.30	绘图	林晓良	核校	张平	型号	
				ABOVE 30 ±0.50	日期	19.08.12	核准	周培雷	料号	KSD-AC JACK
REV.	DATE	REVISION DESCRIPTION	ISSUE	ANGULAR ±5°	DATE		APPROVAL BY		PART NO.	