

SPEC:

A. Material:

1.Housing: PA66

2.Terminal: COPPER ALLOY, TIN PLATED

B.Electrical Characteristics:

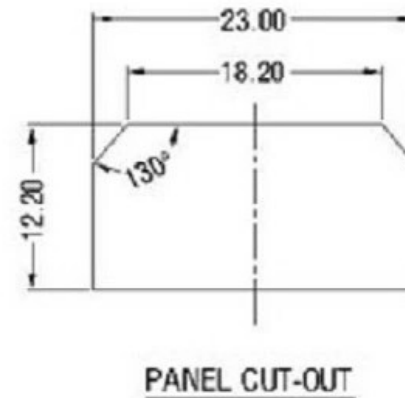
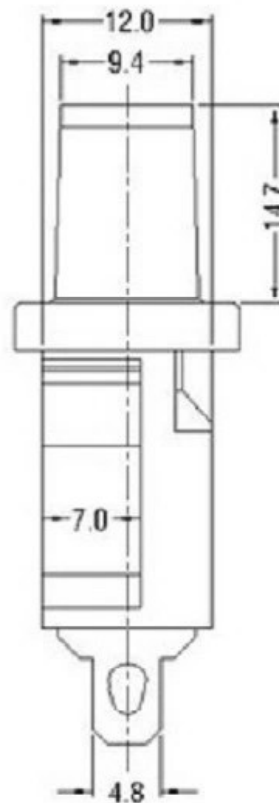
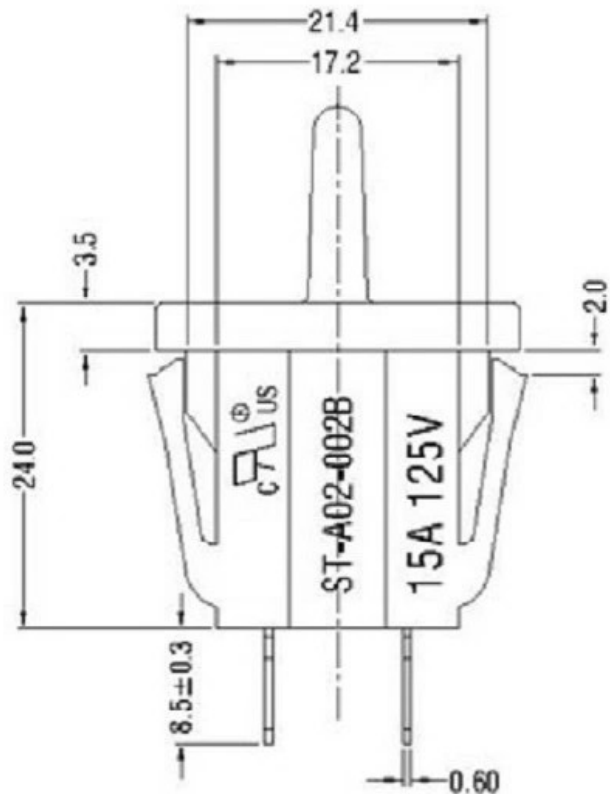
1.Rating: 15A 125V~ (UL,CUL)

2.Electric Strength: AC 2,000 V FOR ONE MINUTE

3.Insulation Resistance: 100MΩ MIN. AT 500V DC

C.Approvals:

UL, CUL



普通公差

COMMON TOLERANCE :

| | |
|---------------|-------|
| UP TO 5 | ±0.20 |
| ABOVE 5 TO 30 | ±0.30 |
| ABOVE 30 | ±0.50 |
| ANGULAR | ±5° |

单位
UNIT
mm
绘图
DRAWN BY
日期
DATE

林晓良
59.08.12

投影
PROJECTED
核
CHECKED BY
核
APPROVAL BY

张平
周培雷

品名
PRODUCT NAME
型号
MODEL NO.
料号
PART NO.

AC power socket
KSD-AC JACK

| REV. | DATE | REVISION DESCRIPTION | ISSUE |
|------|------|----------------------|-------|
| | | | |

广东科斯达电子科技有限公司
Guang dong Keside Electronic Technology Co., Ltd.