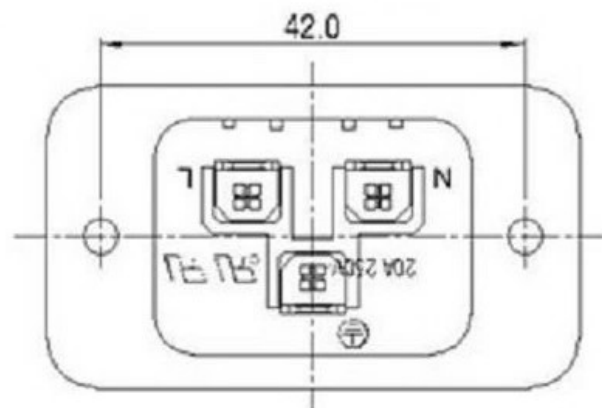
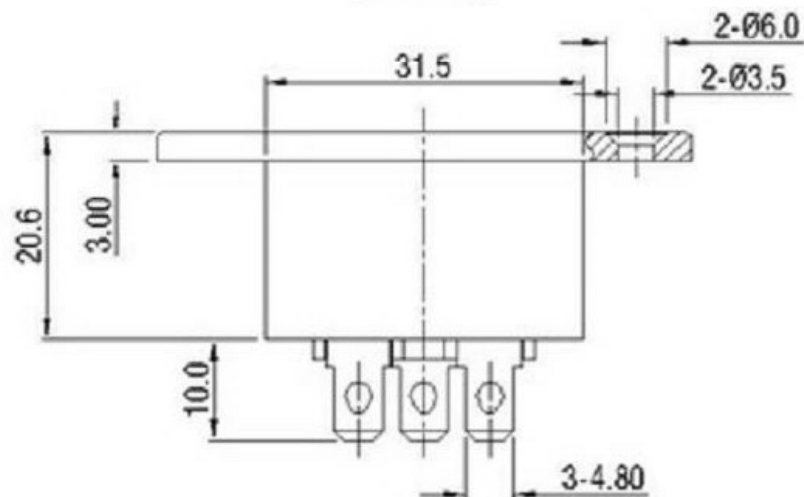


SECTION A-A



**SPEC:**

**A. Material**

1. Housing: PA66

2. Terminal: COPPER ALLOY, TIN PLATED

**B. Electrical Characteristics:**

1. Rating: 20A 250V~(UL, CUL)

16A 250V~(CCC, ENEC)

2. Electric Strength: AC 2,000 V FOR ONE MINUTE

3. Insulation Resistance: 100MΩ MIN, AT 500V DC

**C. Approvals:**

UL, CUL, CCC, ENEC

普通公差

COMMON TOLERANCE:

|               |       |
|---------------|-------|
| UP TO 5       | ±0.20 |
| ABOVE 5 TO 30 | ±0.30 |
| ABOVE 30      | ±0.50 |
| ANGULAR       | ±5°   |

**广东科斯达电子科技有限公司**  
Guang dong Keside Electronic Technology Co., Ltd.

|      |      |                      |       |                |            |                   |     |                    |                 |
|------|------|----------------------|-------|----------------|------------|-------------------|-----|--------------------|-----------------|
| REV. | DATE | REVISION DESCRIPTION | ISSUE | 单位<br>UNIT     | mm         | 投影<br>PROJECTED   |     | 品名<br>PRODUCT NAME | AC power socket |
|      |      |                      |       | 绘图<br>DRAWN BY | 林晓良        | 核对<br>CHECKED BY  | 张平  | 型号<br>MODEL NO.    |                 |
|      |      |                      |       | 日期<br>DATE     | 19. 08. 12 | 核准<br>APPROVAL BY | 周培雷 | 料号<br>PART NO.     | KSD-AC JACK     |