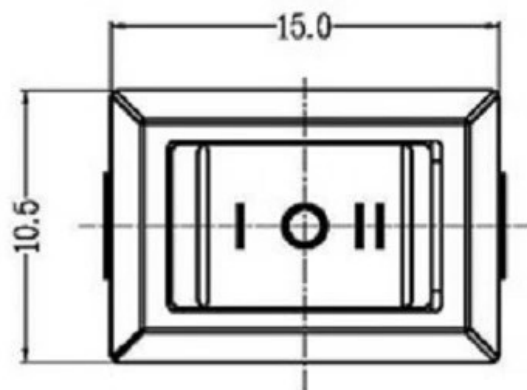
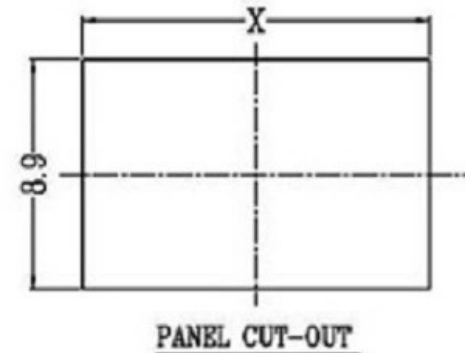
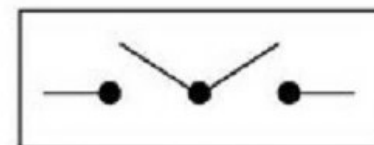


8. SUGGESTED PANEL HOLE SIZE

PANEL THICKNESS	DM X	DM Y
0.75-1.25	13.5/13.8	9.0
1.25-2.0	13.7/13.8	9.0
2.0-3.0	13.9/14.0	9.0



1. FUNCTION: ON-OFF-ON
2. RATING: CQC: 6/12A 250VAC T105
ENEC VDE: 6(4)A 250VAC T105
UL: 4(4)A 125/250VAC 25T125/55 5E4
3. OPERATION FORCE: 700±400g.f
4. CONTACT RESISTANCE: ≤ 50 mΩ
5. INSULATION RESISTANCE ≥ 100 MΩ
6. DIELECTRIC WITHSTAND: TERMINAL TO BUTTON 3000VAC/10mA/1MINUTE
TERMINAL TO TERMINAL 1500VAC/10mA/1MINUTE
7. CIRCUIT DIAGRAM:



A4				普通公差:	 广东科斯达电子科技有限公司 Guang dong Kesida Electronic Technology Co., Ltd.								
A3				COMMON TOLERANCE :									
A2				UP TO 5	±0.20	单位	mm	投影	⊕ ⊲	品名	跷板开关	比例	Free
A1				ABOVE 5 TO 30	±0.30	绘图	周金勇	核 对	梁金勇	型号			
				ABOVE 30	±0.50	DRAWN BY		CHECKED BY		MODEL NO.			
REV.	DATE	REVISION DESCRIPTION	ISSUE	ANGULAR	±5°	日期	2015.8.17	核 准	周培雷	图号			
						DATE		APPROVAL BY		DWG NO.			KSD-AC SWITCH