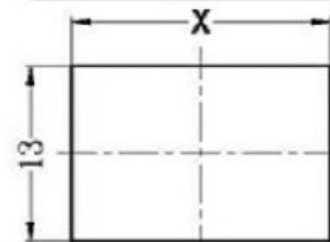


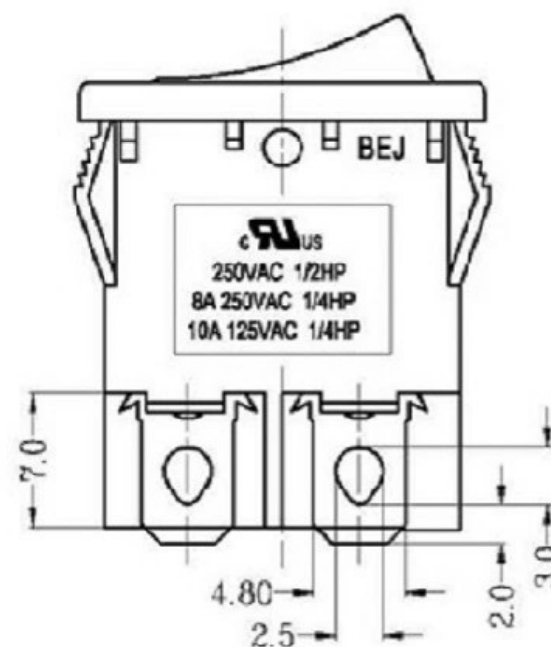
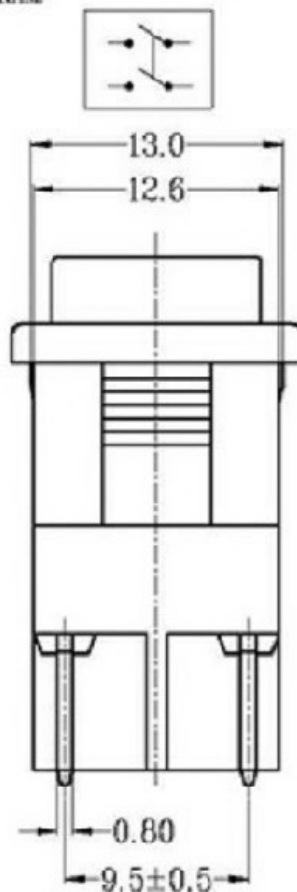
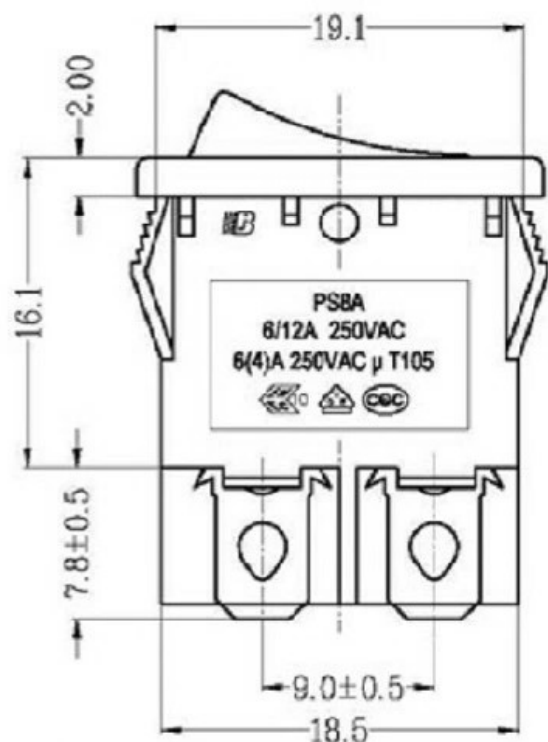
- 1, FUNCTION: OFF-ON
- 2, RATING: UL: 250VAC 1/2HP 8A 250VAC 1/4HP 10A 125VAC 1/4HP
CQC: 6/12A 250VAC
ENEC VDE: 6(4)A 250VAC μ T105
- 3, OPERATION FORCE: 700 \pm 300g.f
- 4, CONTACT RESISTANCE: \leq 50 m Ω
- 5, INSULATION RESISTANCE: \geq 100 M Ω
- 6, DIELECTRIC WITHSTAND: TERMINAL TO BUTTON 3000VAC/5mA/1MINUTE
TERMINAL TO TERMINAL 1500VAC/5mA/1MINUTE
- 7, CIRCUIT DIAGRAM:

8, SUGGESTED PANEL HOLE SIZE:

PANEL THICKNESS	DIM X
0.75-1.25	19.2/19.1
1.25-2.0	19.4/19.3
2.0-3.0	19.8/19.7



PANEL CUT-OUT



A4				普通公差:	 广东科斯达电子科技有限公司 Guang dong Keside Electronic Technology Co., Ltd.								
A3				COMMON TOLERANCE:									
A2				UP TO 5	±0.20	单位	mm	投影		品名	跳板开关	比例	Free
A1				ABOVE 5 TO 30	±0.30	绘图	周金勇	核 对	梁金勇	型号			
REV.	DATE	REVISION DESCRIPTION	ISSUE	ANGULAR	±5°	日期	2015.8.17	核 准	周培雷	图号			
											KSD-AC SWITCH		