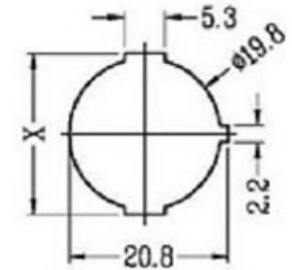
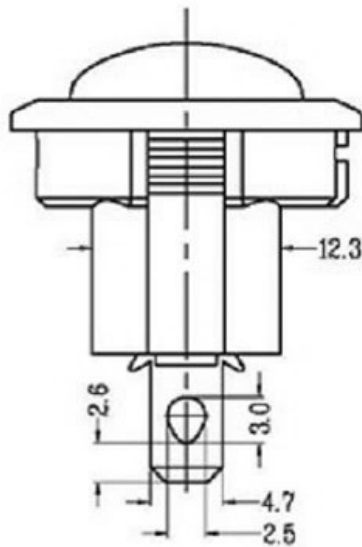
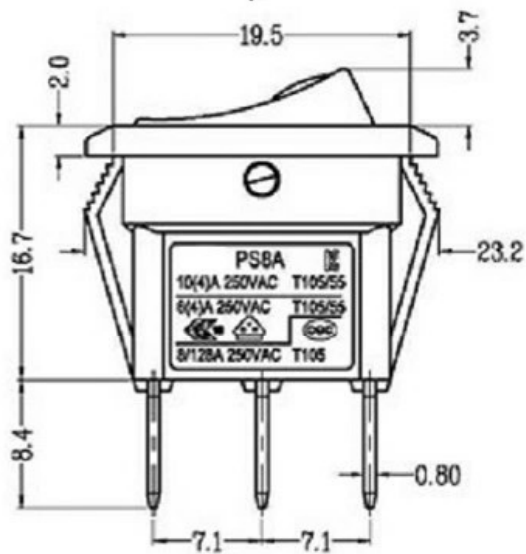


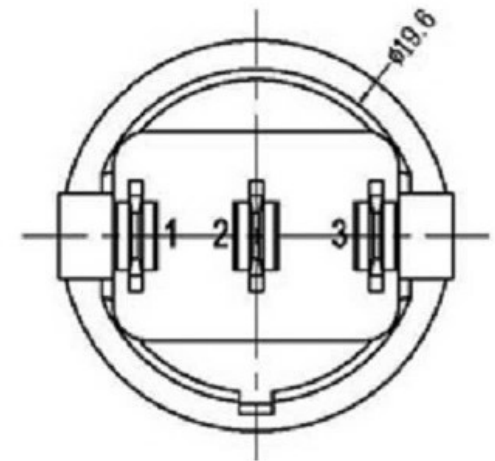
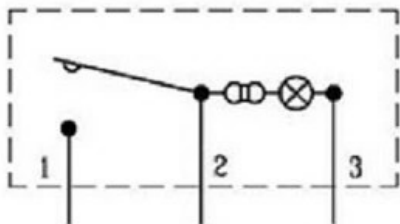
- 1、FUNCTION: ON-OFF W/Lamp
- 2、RATING: UL: 12(6)A 125/250VAC 16A 125VAC 25T125/55 5E4  
CQC: 8/128A 250VAC T105  
ENEC VDE: 6(4)A 250VAC T105/55  
KC: 10(4)A 250VAC T105/55
- 3、OPERATION FORCE: 700±400gf
- 4、CONTACT RESISTANCE: ≤ 50 mΩ
- 5、INSULATION RESISTANCE: ≥ 100 MΩ
- 6、DIELECTRIC WITHSTAND: TERMINAL TO BUTTON 3000VAC/5mA/1MINUTE  
TERMINAL TO TERMINAL 1500VAC/5mA/1MINUTE

SUGGESTED PANEL HOLE SIZE

PANEL THICKNESS	X
0.75~1.25	20.3
1.25~2.0	20.8
2.0~3.0	21.1



WIRING DIAGRAM



A4				普通公差:	 <b>广东科斯达电子科技有限公司</b> Guang dong Keside Electronic Technology Co., Ltd.								
A3				COMMON TOLERANCE :									
A2				UP TO 5	±0.20	单位	mm	投影		品名	跳板开关	比例	Free
A1				ABOVE 5 TO 30	±0.30	绘图	周金勇	核对	梁金勇	型号			
				ABOVE 30	±0.50	DRAWN BY		CHECKED BY		MODEL NO.			
REV.	DATE	REVISION DESCRIPTION	ISSUE	ANGULAR	±5°	日期	2015.8.17	核准	周培雷	图号	KSD-AC SWITCH		
						DATE		APPROVAL BY		DWG NO.			