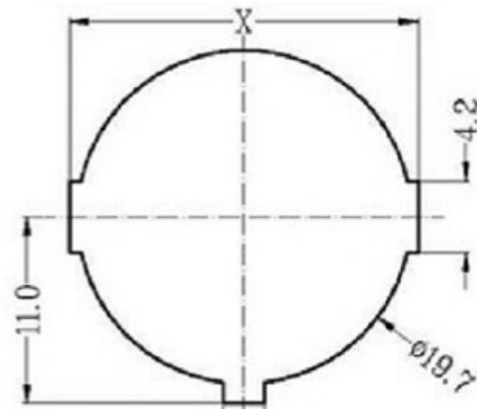
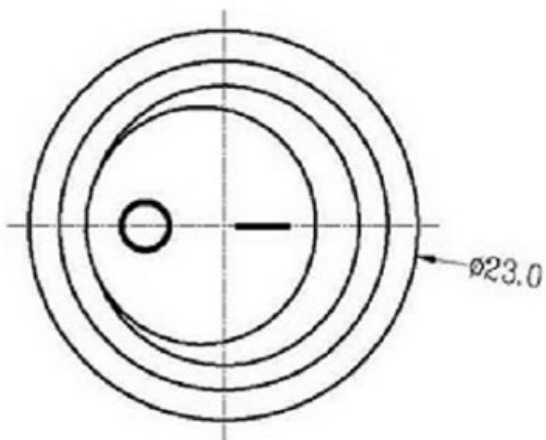
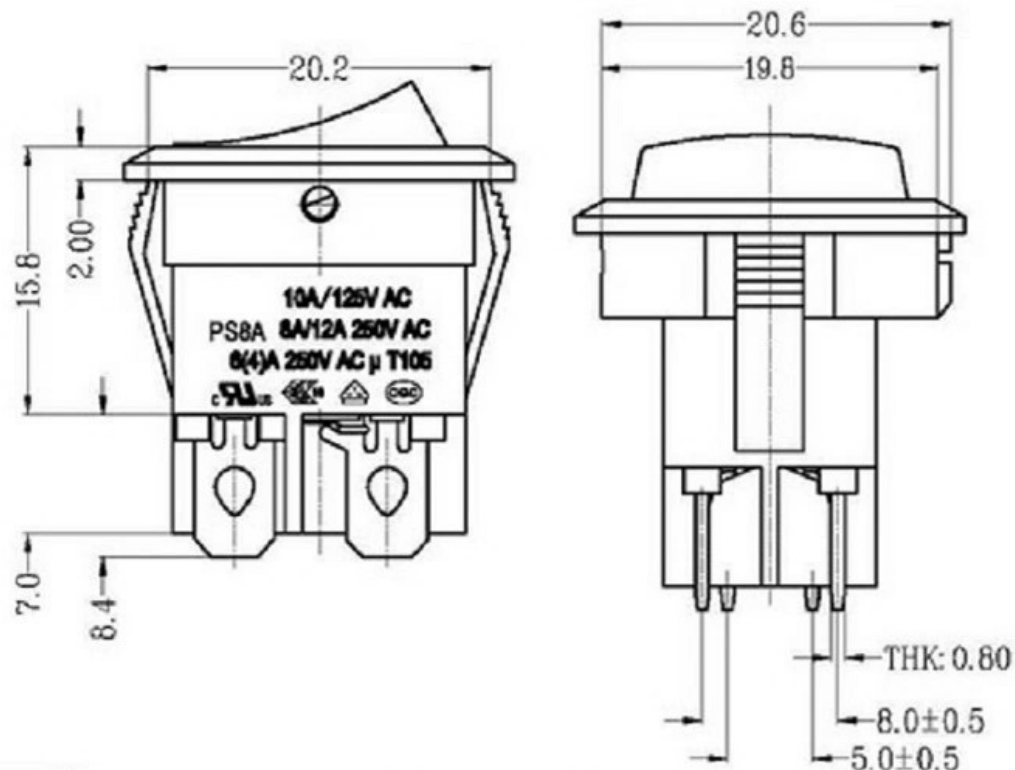
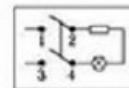


8. SUGGESTED PANEL HOLE SIZE:

PANEL THICKNESS	DIM. X
0.75-1.25	20.2
1.25-2.0	20.4
2.0-3.0	20.8



1. FUNCTION: OFF-ON
OFF-ON
2. RATING: UL: 10A 125VAC
CQC: 8A/12A 250VAC
ENEC VDE: 6(4)A250VAC μ T105
3. OPERATION FORCE: 650±350g.f
4. CONTACT RESISTANCE: ≤ 50 m Ω
5. INSULATION RESISTANCE: ≥ 100 M Ω
6. DIELECTRIC WITHSTAND:
TERMINAL TO BUTTON 3000VAC/5mA/1MINUTE
TERMINAL TO TERMINAL 1500VAC/5mA/1MINUTE
7. CIRCUIT DIAGRAM:



A4				普通公差:	 广东科斯达电子科技有限公司 Guang dong Keside Electronic Technology Co., Ltd.								
A3				COMMON TOLERANCE :									
A2				UP TO 5	±0.20	单位	mm	投影		品名	跳板开关	比例	Free
A1				ABOVE 5 TO 30	±0.30	绘图	周金勇	核 对	梁金勇	型号			
				ABOVE 30	±0.50	DRAWN BY		CHECKED BY		MODEL NO.			
REV.	DATE	REVISION DESCRIPTION	ISSUE	ANGULAR	±5°	日期	2015.8.17	核 准	周培雷	图号	KSD-AC SWITCH		
						DATE		APPROVAL BY		DWG NO.			