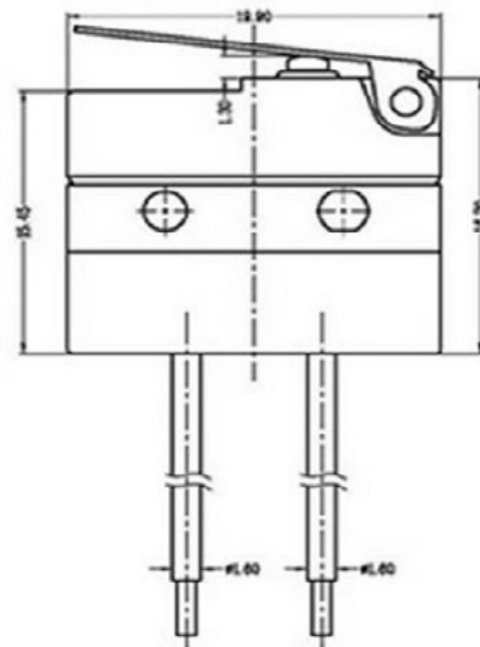
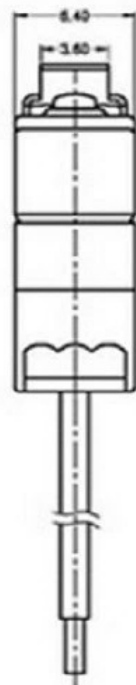
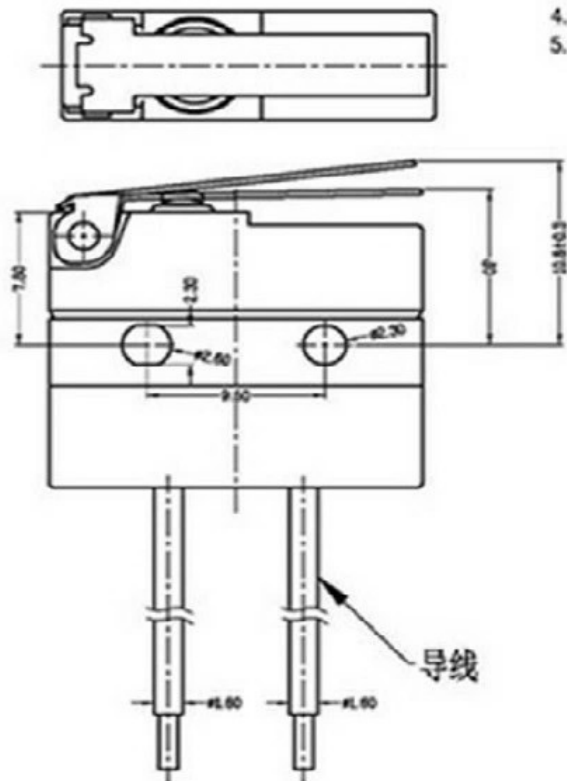


1. FUNCTION: 1P2T OFF-(ON)
2. RATING: UL: 5A 125/250VAC 20T105 μ 5E4
ENEC CB: 5(3)A 250VAC 20T105 μ 5E4
3. CONTACT RESISTANCE: $\leq 20m\Omega$
4. INSULATION RESISTANCE: $\geq 100 M\Omega$
5. DIELECTRIC WITHSTAND: TERMINAL TO BUTTON 3000VAC/10mA/1MINUTE
TERMINAL TO TERMINAL 1000VAC/10mA/1MINUTE



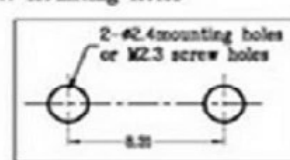
导线

CHARACTERISTICS	
Operating Force:	250±50g.f
Release Force:	20g.f
Operation Position:	9.1±0.3mm
Pre Travel:	1.8mm max
Differential travel:	0.3mm max
Over Travel:	0.6mm min

6. Circuit Diagram



7. Mounting Holes



NO.	PARTS	MATERIALS	Q'TY	TOLERANCE UNLESS SPECIFIED							
8				WITHIN 1.5mm : ±0.1mm	A	2012-8-13	初版				
7				OVER 1.5mm : ±0.2mm	ISSUE	DATE	DESCRIPTIONS OF REVISION				
6				TITLE : Micro Switch				UNIT : mm	DRWG NO.:		
5	SPRING	SUS	1	NATURAL	MODEL:				SCALE: 5:1	DWN.	2012-8-13
4	CAM STICK	SUS	1	NATURAL	广东科斯达开关厂				CHK'D		
3	CASE	PA66/BRASS STRIP	1	GREY/Ag PLATED					APPD.		2012-8-13
2	COVER	PA66	1	BLACK							
1	NOB	PA66/PBS C5210R-EH	1	WHITE/Ag CLAD							