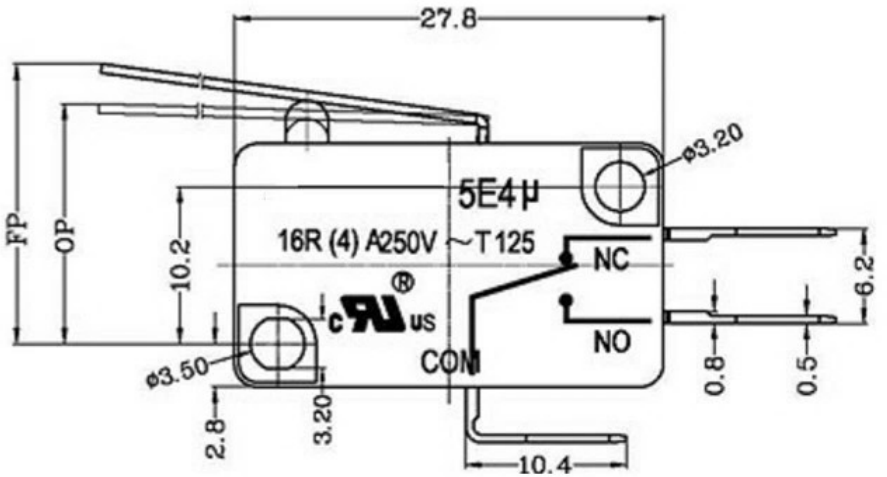
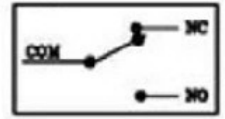


1. FUNCTION: ON-(ON)
2. RATING: UL: 16R(4)A 250V~ T125 5E4μ
ENEC VDE/CQC: 16(4)A 250V~ T125 5E4μ
3. OPERATION FORCE: 80±30g.f
4. CONTACT RESISTANCE: ≤ 50 mΩ
5. INSULATION RESISTANCE: ≥ 100 MΩ
6. DIELECTRIC WITHSTAND: TERMINAL TO BUTTON 3000VAC/5mA/1MINTUE
TERMINAL TO TERMINAL 1500VAC/5mA/1MINTUE
7. CONTACT SPACING: < 3 mm

8. TRAVEL:

FREE POSITION	20.4±0.5mm
OPERATING POSITION	14.4±0.5mm
PRE TRAVEL	8.3 Max
OVER TRAVEL	2.2 Min

9. CIRCUIT DIAGRAM:



NO.	PARTS	MATERIALS	Q'TY
8			
7			
6			
5	SPRING	SUS	1 NATURAL
4	CAM STICK	SUS	1 NATURAL
3	CASE	PA66/BRASS STRIP	1 GREY/Ag PLATED
2	COVER	PA66	1 BLACK
1	KNOB	PA66/PBS C5210R-EH	1 WHITE/Ag CLAD

TOLERANCE UNLESS SPECIFIED					
WITHIN 1.5mm	: ±0.1mm	A	2012-8-13	初版	
OVER 1.5mm	: ±0.2mm	ISSUE	DATE	DESCRIPTIONS OF REVISION	
TITLE : Micro Switch			UNIT : mm	DRWG NO.:	
MODEL:			SCALE: 5:1	DWN.	2012-8-13
			CHK'D		2012-8-13
			APPD.		