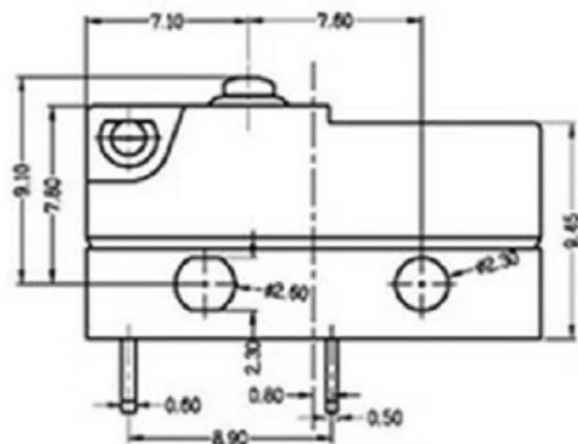
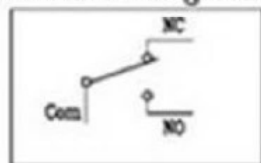


CHARACTERISTICS	
Operating Force:	250±50g.f
Release Force:	20g.f
Operation Position:	8.60±0.3mm
Pre Travel:	0.6mm max
Differential travel:	0.3mm max
Over Travel:	0.6mm min

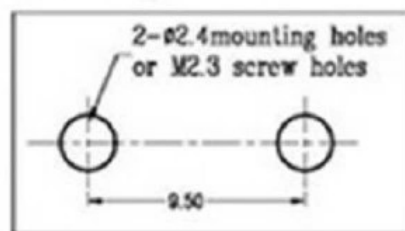



### 6. Circuit Diagram



1. FUNCTION: 1P2T OFF-(ON)
2. RATING: UL: 5A 125/250VAC 20T105  $\mu$  5E4  
ENEC CB: 5(3)A 250VAC 20T105  $\mu$  5E4
3. CONTACT RESISTANCE:  $\leq$  20m $\Omega$
4. INSULATION RESISTANCE:  $\geq$  100 M $\Omega$
5. DIELECTRIC WITHSTAND: TERMINAL TO BUTTON 3000VAC/10mA/1MINUTE  
TERMINAL TO TERMINAL 1000VAC/10mA/1MINUTE

### 7. Mounting Holes



NO.	PARTS	MATERIALS	Q'TY		TOLERANCE UNLESS SPECIFIED						
8					WITHIN 1.5mm : ±0.1mm	A	2012-8-13	初版			
7					OVER 1.5mm : ±0.2mm	ISSUE	DATE	DESCRIPTIONS OF REVISION	APPD.		
5	SPRING	SUS	1	NATURAL	TITLE : <b>Micro Switch</b>				UNIT : mm	DRWG NO.:	
4	CAM STICK	SUS	1	NATURAL	MODEL:				SCALE: 5:1	DWN.	2012-8-13
3	CASE	PA66/BRASS STRIP	1	GREY/Ag PLATED	 <b>广东科斯达开关厂</b>				CHK'D		
2	COVER	PA66	1	BLACK					APPD.		2012-8-13
1	NOB	PA66/PBS C5210R-EH	1	WHITE/Ag CLAD							