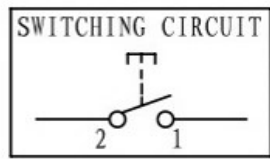
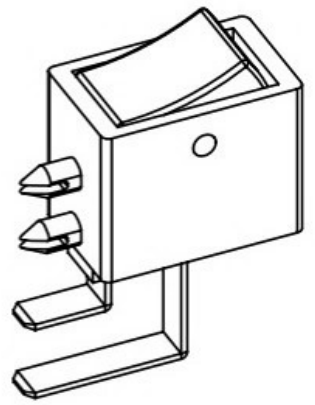
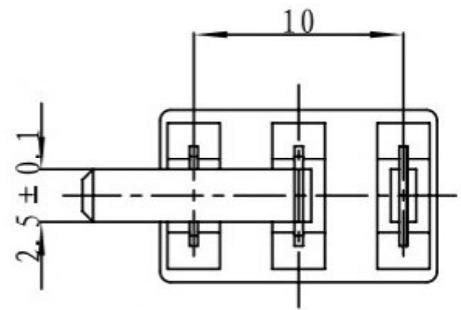
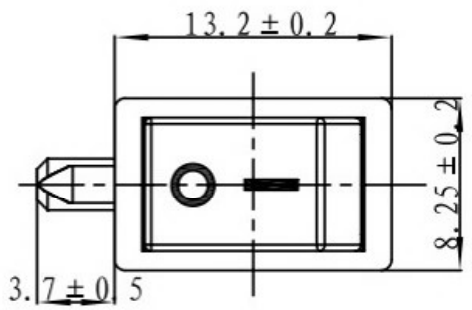


安装尺寸面板



NOTES:

- Rating:
CQC 3A 250V AC 3A/40A 250V AC T105/55
UL cUL 6GPA 125V AC/3GPA 250V AC T105/55
VDE ENEC 3A 250V AC T125/55
- Circuit Diagram: 2P ON-OFF
- Terminal Strength: $\geq 40N$
- Electrical life: ≥ 10000 cycles
- Withstand Voltage: Withstand Voltage: 1500VAC 1min
Terminals to Button: 3000VAC 1min
Leakage Current: 1mA
- Current resistance: $\leq 50m\Omega$ (initial)
- Insulation resistance: $\geq 100M\Omega$
- Body Material: NYLON 66 94V-0~2

100/PCS塑盒装 =3K箱

A4				普通公差:	 广东科斯达电子科技有限公司 Guang dong Keside Electronic Technology Co., Ltd.								
A3				COMMON TOLERANCE :									
A2				UP TO 5	± 0.20	单位	mm	投影		品名	跷板开关	比例	Free
A1				ABOVE 5 TO 30	± 0.30	绘图	周金勇	核	梁金勇	型号			
REV.	DATE	REVISION DESCRIPTION	ISSUE	ANGULAR	$\pm 5^\circ$	日期	2015.8.17	核	周培雷	图号			
						DATE		APPROVAL BY		DWG NO.	KSD-AC SWITCH		