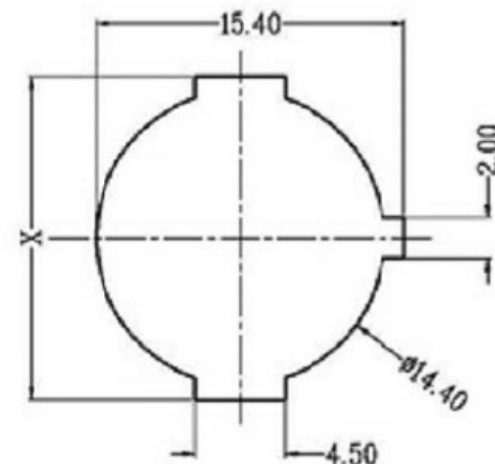
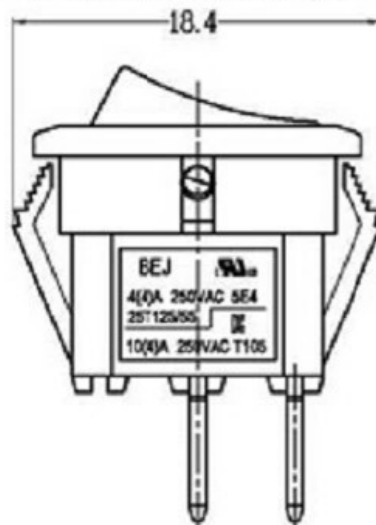
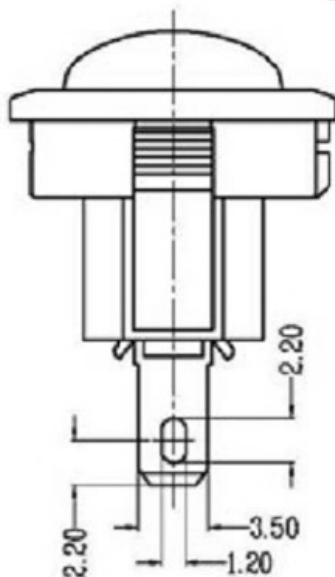
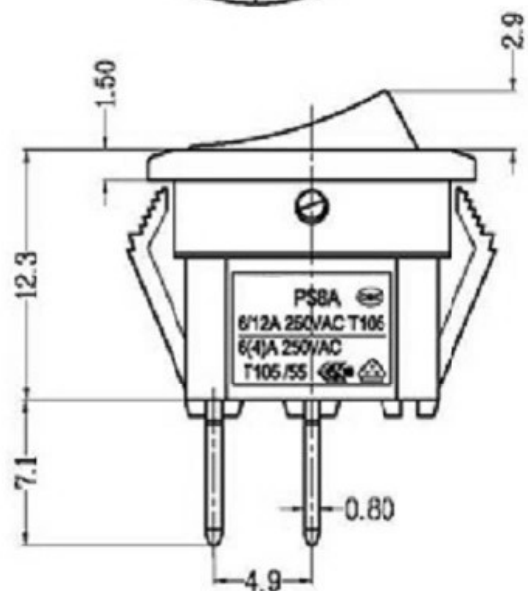


- 1、FUNCTION: ON-OFF
- 2、RATING: UL: 4(4)A 250VAC 25T125/55 5E4  
CQC: 6/12A 250VAC T105  
ENEC VDE: 6(4)A 250VAC T105/55  
KC: 10(4)A 250VAC T105

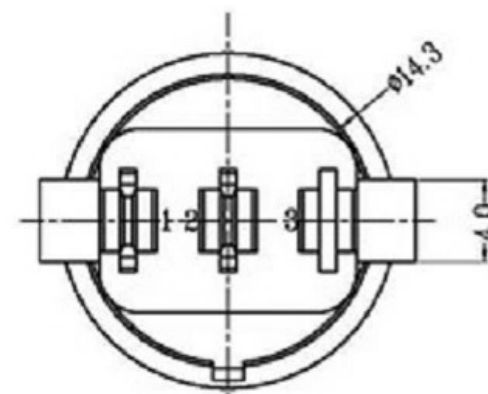
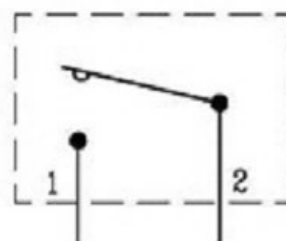
SUGGESTED PANEL HOLE SIZE

thk	X
0.5~1.2mm	15.4mm
1.3~2.0mm	15.8mm
2.1~3.5mm	16.2mm

- 3、OPERATION FORCE: 600±300g.f
- 4、CONTACT RESISTANCE: ≤ 50 mΩ
- 5、INSULATION RESISTANCE ≥ 100 MΩ
- 6、DIELECTRIC WITHSTAND: TERMINAL TO BUTTON 3000VAC/5mA/1MINUTE  
TERMINAL TO TERMINAL 1500VAC/5mA/1MINUTE



WIRING DIAGRAM



A4				普通公差:	 <b>广东科斯达电子科技有限公司</b> Guang dong Kesida Electronic Technology Co., Ltd.								
A3				COMMON TOLERANCE :									
A2				UP TO 5	±0.20	单位	mm	投影	⊕ ⊲	品名	跷板开关	比例	Free
A1				ABOVE 5 TO 30	±0.30	绘图	周金勇	核 对	梁金勇	型号			
REV.	DATE	REVISION DESCRIPTION	ISSUE	ANGULAR	±5°	日期	2015.8.17	核 准	周培雷	图号			
										DWG NO.	<b>KSD-AC SWITCH</b>		