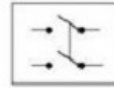
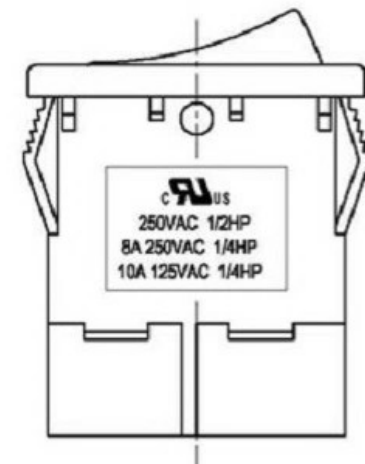
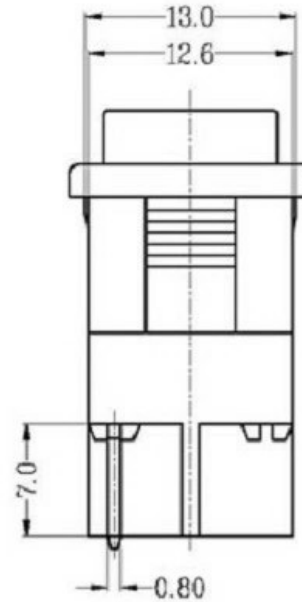
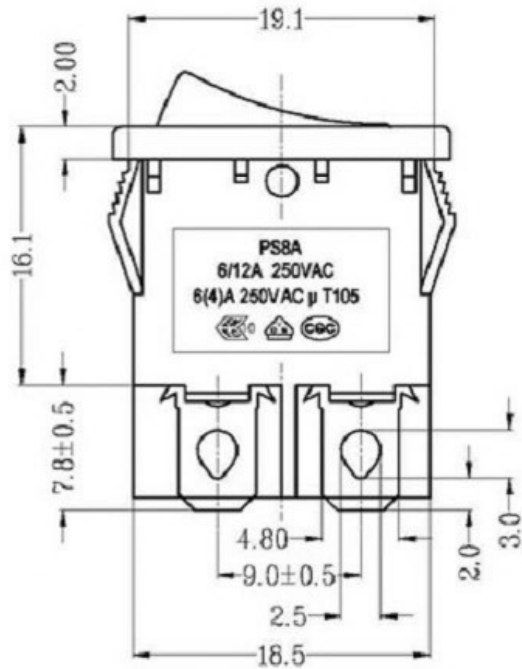
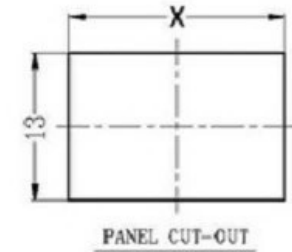


1. FUNCTION: OFF-ON
2. RATING: UL: 250VAC 1/2HP 8A 250VAC 1/4HP 10A 125VAC 1/4HP
CQC: 6/12A 250VAC
ENEC VDE: 6(4)A 250VAC μ T105
3. OPERATION FORCE: 700 \pm 300gf
4. CONTACT RESISTANCE \leq 50 m Ω
5. INSULATION RESISTANCE \geq 100 M Ω
6. DIELECTRIC WITHSTAND: TERMINAL TO BUTTON 3000VAC/5mA/1MINUTE
TERMINAL TO TERMINAL 1500VAC/5mA/1MINUTE
7. CIRCUIT DIAGRAM:



8. SUGGESTED PANEL HOLE SIZE:

PANEL THICKNESS	DIM.X
0.75-1.25	19.2/19.1
1.25-2.0	19.4/19.3
2.0-3.0	19.8/19.7



A4				普通公差:	 广东科斯达电子科技有限公司 Guang dong Keside Electronic Technology Co., Ltd.								
A3				COMMON TOLERANCE :									
A2				UP TO 5	± 0.20	单位	mm	投影		品名	跳板开关	比例	Free
A1				ABOVE 5 TO 30	± 0.30	绘图	周金勇	核校	梁金勇	型号			
REV.	DATE	REVISION DESCRIPTION	ISSUE	ABOVE 30	± 0.50	DRAWN BY		CHECKED BY		图号			
				ANGULAR	$\pm 5^\circ$	日期	2015.8.17	核准	周培雷	DWG NO.			KSD-AC SWITCH