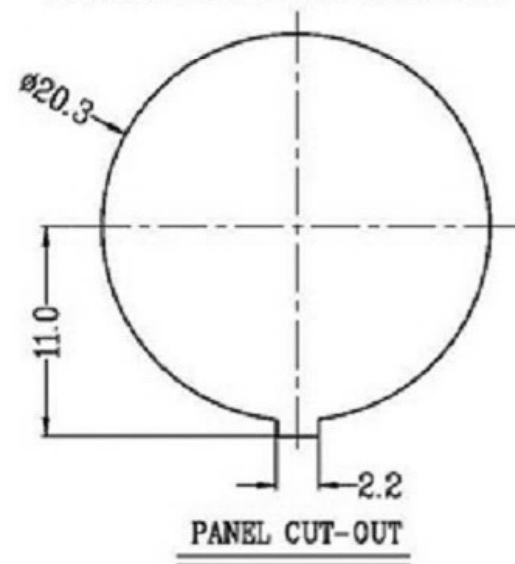


1. FUNCTION: OFF-ON
2. RATING: UL: 10A 125VAC T85
CQC: 6/12A 250VAC T105
ENEC VDE: 6(4)A 250VAC T105/55
TUV/CE: 8/128A 250VAC T105
3. OPERATION FORCE: 650±350g.f
4. CONTACT RESISTANCE: ≤ 50 mΩ
5. INSULATION RESISTANCE: ≥ 100 MΩ
6. DIELECTRIC WITHSTAND: TERMINAL TO BUTTON 3000VAC/5mA/1MINUTE
TERMINAL TO TERMINAL 1500VAC/5mA/1MINUTE
7. CIRCUIT DIAGRAM:

8. SUGGESTED PANEL HOLE SIZE:



A4				普通公差:	广东科斯达电子科技有限公司 Guang dong Keside Electronic Technology Co., Ltd.								
A3				COMMON TOLERANCE :									
A2				UP TO 5	±0.20	单位	mm	投影		品名	跷板开关	比例	Free
A1				ABOVE 5 TO 30	±0.30	绘图	周金勇	核校	梁金勇	型号			
REV.	DATE	REVISION DESCRIPTION	ISSUE	ANGULAR	±5°	日期	2015.8.17	核准	周培雷	图号			
										DWG NO.	KSD-AC SWITCH		