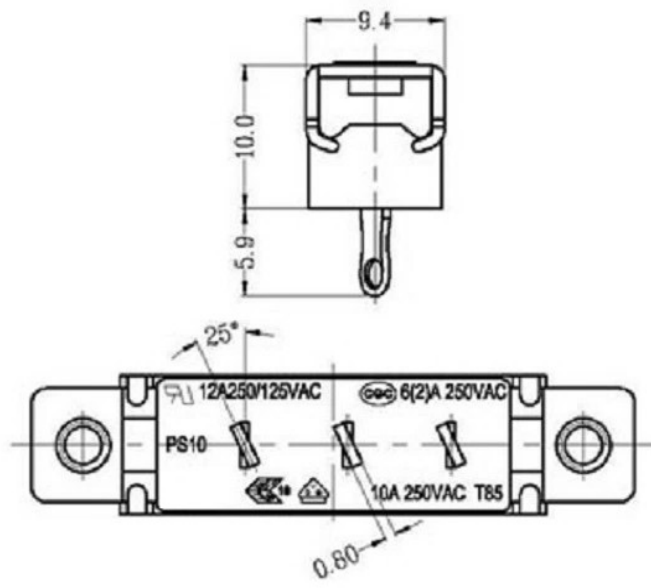
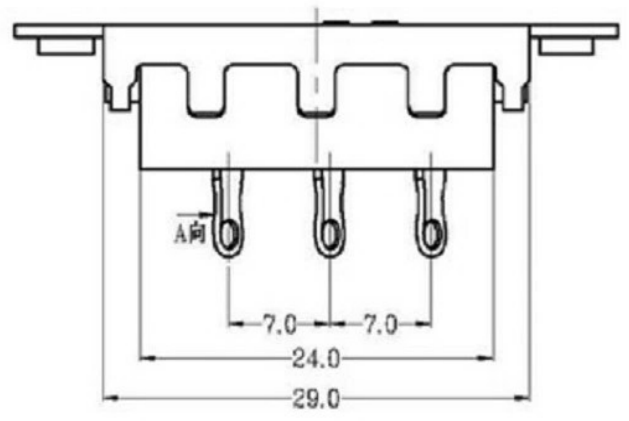
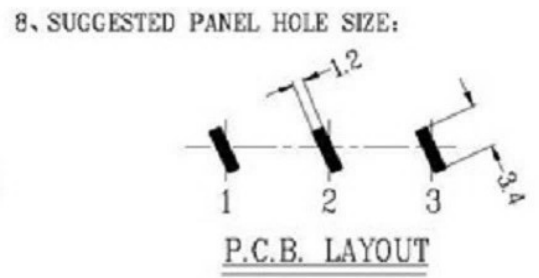


- 1、FUNCTION: 1P2T
- 2、RATING: UL: 12A 250/125VAC  
CQC: 6(2)A 250VAC  
ENEC VDE: 10A 250VAC T85
- 3、OPERATION FORCE: 700±300g.f
- 4、CONTACT RESISTANCE: ≤ 50 mΩ
- 5、INSULATION RESISTANCE: ≥ 100 MΩ
- 6、DIELECTRIC WITHSTAND:  
TERMINAL TO BUTTON 3000VAC/5mA/1MINTUE  
TERMINAL TO TERMINAL 1500VAC/5mA/1MINTUE



注: "\*"表示关键尺寸(6个)

NO.	PARTS	MATERIALS	Q'TY	FINISH	TOLERANCE	UNIT	DATE	DESCRIPTIONS OF REVISION	APPD.
8					UNLESS SPECIFIED				
7	STEEL BALL	STEEL	1	NATURAL					
6	SPRING	STEEL WIRE	1	NATURAL					
5	CONTACT CLIP	PBS STRIP	2	Ag PLATED					
4	TERMINAL	BRASS STRIP	8	Ag PLATED					
3	BASE	PHENOLIC RESIN	1	NATURAL					
2	FRAME	STEEL STRIP	1	Ni PLATED					
1	KNOB	POM	1	BLACK					
					TITLE : VERTICAL SLIDE SWITCH		UNIT : mm	DRWG NO.:	
					MODEL:		SCALE: 3:1	DWN.	2012-10-26
					<b>广东科斯达开关厂</b>			CHK'D	
								APPD.	