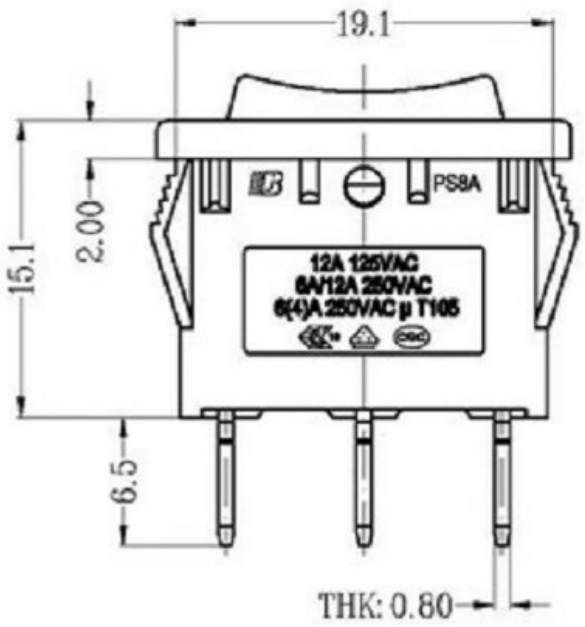


1. FUNCTION: ON-OFF-ON
2. RATING: UI: 250VAC 1/2HP 8A 250VAC 10A 125VAC
CQC: 6A/12A 250VAC
ENEC VDE: 12A 125VAC 6(4)A 250VAC μ T105
3. OPERATION FORCE: 650 \pm 350g.f
4. CONTACT RESISTANCE: \leq 50 m Ω
5. INSULATION RESISTANCE: \geq 100 M Ω
6. DIELECTRIC WITHSTAND:

TERMINAL TO BUTTON 3000VAC/5mA/1MINTUE
 TERMINAL TO TERMINAL 1500VAC/5mA/1MINTUE

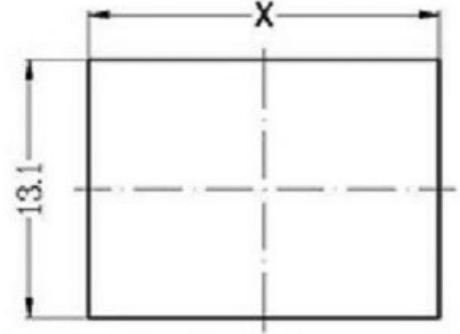
7. CIRCUIT DIAGRAM:



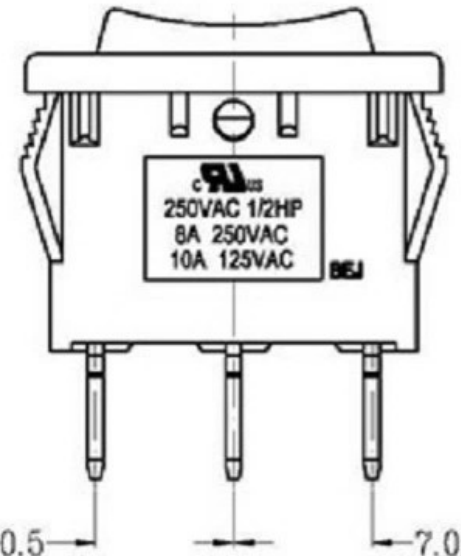
THK: 0.80

8. SUGGESTED PANEL HOLE SIZE:

PANEL THICKNESS	DIM.X
0.75-1.25	19.2/19.1
1.25-2.0	19.4/19.3
2.0-3.0	19.8/19.7



PANEL CUT-OUT



A4			
A3			
A2			
A1			
REV.	DATE	REVISION DESCRIPTION	ISSUE

普通公差: COMMON TOLERANCE:	
UP TO 5	\pm 0.20
ABOVE 5 TO 30	\pm 0.30
ABOVE 30	\pm 0.50
ANGULAR	\pm 5°

广东科斯达电子科技有限公司 Guang dong Keside Electronic Technology Co., Ltd.											
单位 UNIT	mm	投影 PROJECTED		品名 PRODUCT NAME	跷板开关	比例 SCALE	Free				
绘图 DRAWN BY	周金勇	核对 CHECKED BY	梁金勇	型号 MODEL NO.							
日期 DATE	2015.8.17	核准 APPROVAL BY	周培雷	图号 DWG NO.	KSD-AC SWITCH						