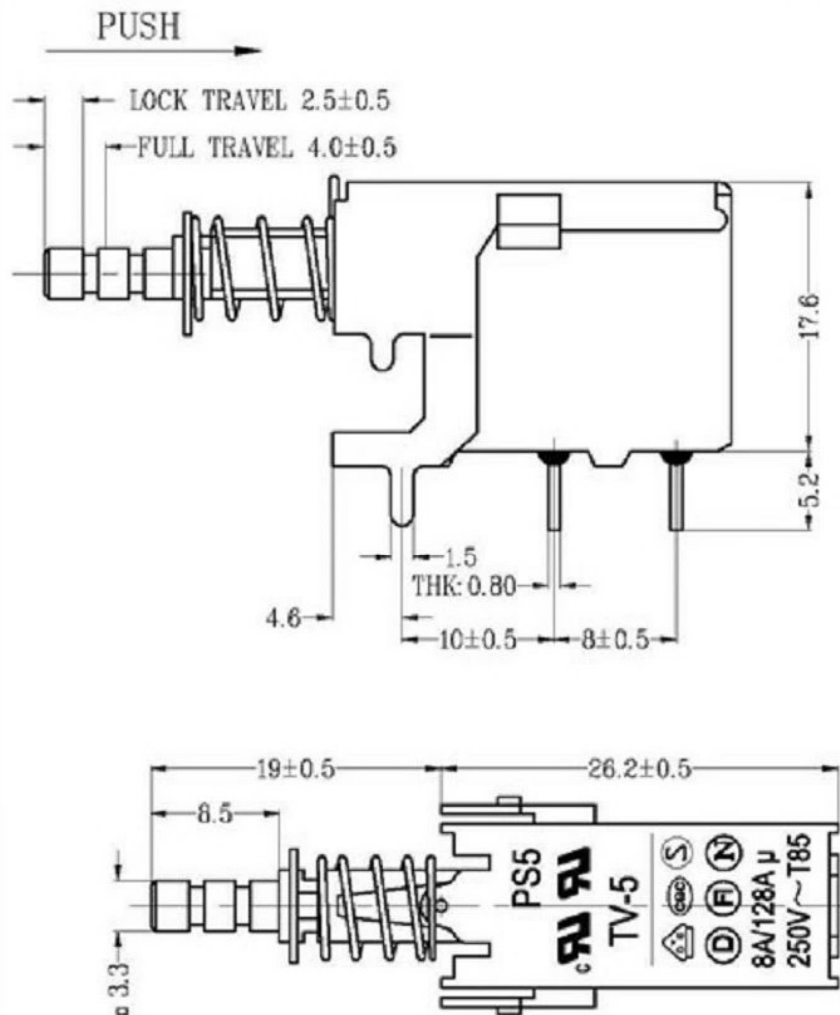


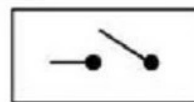
CAD FILE:



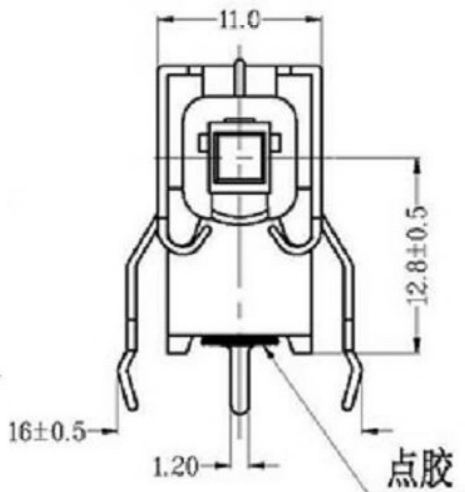
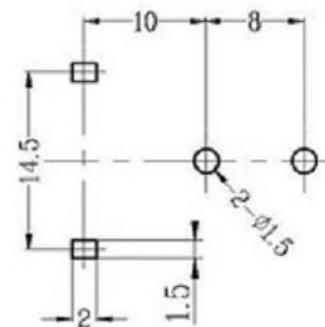
1. FUNCTION: OFF-ON
2. RATING: UL: TV-5
ENEC VDE/CQC: 8A/128A μ 250V~T85
3. OPERATION FORCE: 700±300g.f
4. CONTACT RESISTANCE: $\leq 50 \text{ m}\Omega$
5. INSULATION RESISTANCE: $\geq 100 \text{ M}\Omega$
6. DIELECTRIC WITHSTAND: TERMINAL TO BUTTON 3000VAC/5mA/1MINTUE
TERMINAL TO TERMINAL 1500VAC/5mA/1MINTUE

7. TRAVEL:	FULL TRAVEL	4.0±0.5mm
	LOCK TRAVEL	2.5±0.5mm

8. CIRCUIT DIAGRAM:



9. SUGGESTED PANEL HOLE SIZE:



注: "*"表示关键尺寸(6个)

NO.	PARTS	MATERIALS	Q'TY	FINISHING
9	CONTACT CLIP	PBS C5210R-EH	1	Ag CLAD
8	SPRING PLATE	PBS STRIP	1	Ni PLATED
7	BASE	PHENOLIC RESIN	1	NATURAL
6	TERMINAL	BRASS STRIP	3	Ag PLATED
5	KNOB	PA66	1	BLUE
4	BLOCK	STEEL STRIP	1	Ni PLATED
3	SPRING	STEEL WIRE	1	Ni PLATED
2	CAM STICK	PBS WIRE	1	Ni PLATED
1	FRAME	STEEL STRIP	1	Ni PLATED

TOLERANCE					
UNLESS SPECIFIED					
WITHIN 1.5mm	: ±0.1mm	A	2012-8-22	初版	
OVER 1.5mm	: ±0.2mm	ISSUE	DATE	DESCRIPTIONS OF REVISION	APPD.
TITLE : PUSH SWITCH			UNIT : mm	DRWG NO.:	
MODEL:			SCALE: 3:1	DWN.	2012-8-22
广东科斯达开关厂			CHK'D		2012-8-22
			APPD.		