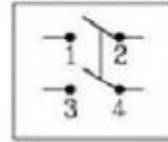


- 1、FUNCTION: OFF-ON
OFF-ON
- 2、RATING: UL: 250VAC 3/4HP 16A 250VAC 20A 125VAC
CQC/ENEC VDE/KC: 16(4)A 250VAC T105
- 3、OPERATION FORCE: 650±350g.f
- 4、CONTACT RESISTANCE: ≤ 50 mΩ
- 5、INSULATION RESISTANCE: ≥ 100 MΩ
- 6、DIELECTRIC WITHSTAND:

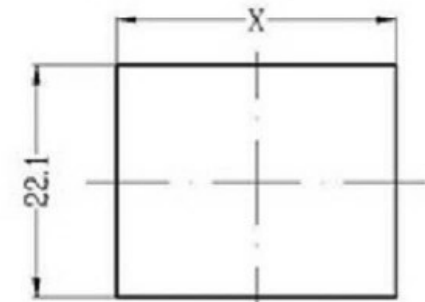
TERMINAL TO BUTTON 3000VAC/5mA/1MINTUE
TERMINAL TO TERMINAL 1500VAC/5mA/1MINTUE

7、CIRCUIT DIAGRAM:

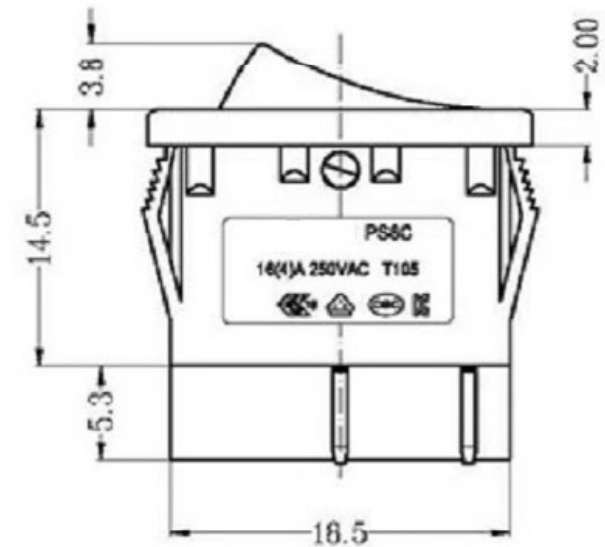
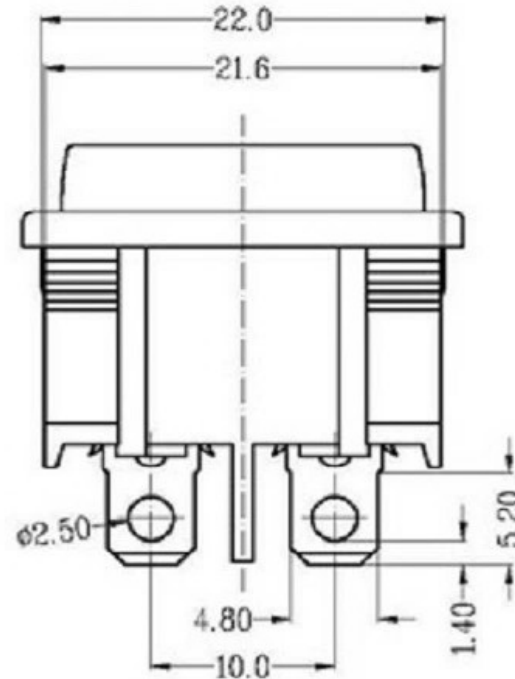
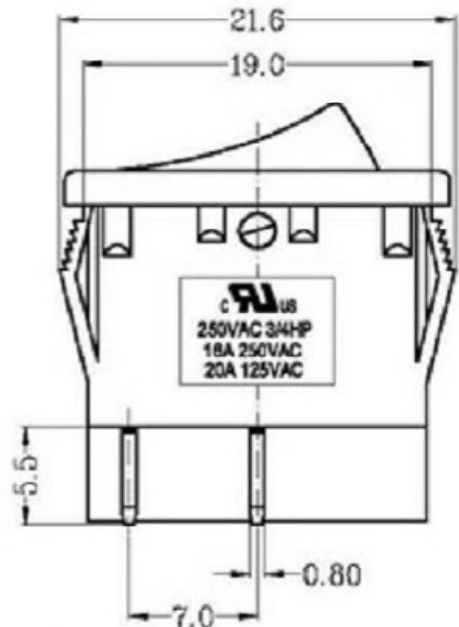
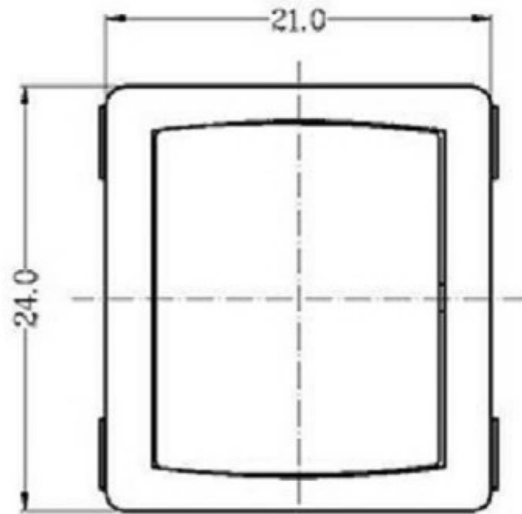


8、SUGGESTED PANEL HOLE SIZE:

PANEL THICKNESS	DIM.X
0.75-1.25	19.2/19.1
1.25-2.0	19.4/19.3
2.0-3.0	19.8/19.7



PANEL CUT-OUT



A4				普通公差:	 广东科斯达电子科技有限公司 Guang dong Keside Electronic Technology Co., Ltd.								
A3				COMMON TOLERANCE :									
A2				UP TO 5	±0.20	单位	mm	投影		品名	跷板开关	比例	Free
A1				ABOVE 5 TO 30	±0.30	绘图	周金勇	核 对	梁金勇	型号	KSD-AC SWITCH		
				ABOVE 30	±0.50	DRAWN BY		CHECKED BY		图号			
REV.	DATE	REVISION DESCRIPTION	ISSUE	ANGULAR	±5°	日期	2015.8.17	核 准	周培雷	DWG NO.			