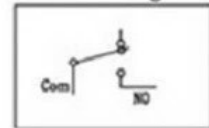
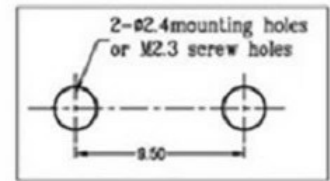


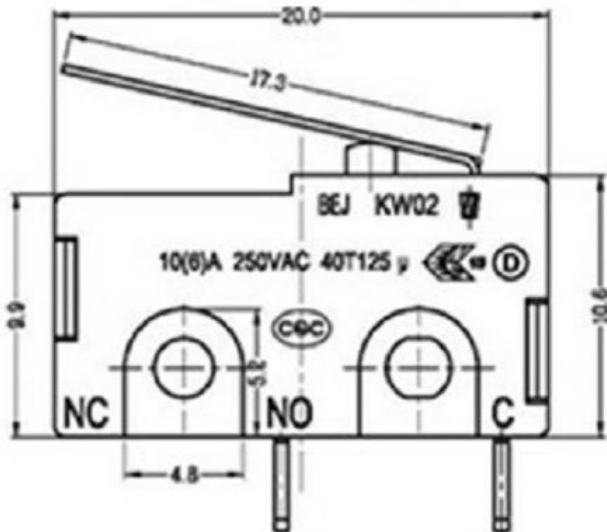
8. Circuit Diagram




9. Mounting Holes



CHARACTERISTICS	
Operating Force:	60±20g.f
Release Force:	20g.f min
Operation Position:	9.3±0.3mm
Pre Travel:	2.5mm max
Differential travel:	0.6mm max
Over Travel:	0.8mm min



1. FUNCTION: OFF-(ON)
2. RATING: UI: 10.1A 1/3HP 250VAC 40T125 μ
16A 1/6HP 125VAC 40T125 μ
ENEC CQC CB: 10(6)A 250VAC 40T125 μ
3. CONTACT RESISTANCE: ≤ 50mΩ
4. INSULATION RESISTANCE: ≥ 100 MΩ
5. DIELECTRIC WITHSTAND: TERMINAL TO BUTTON 3000VAC/10mA/1MINUTE
TERMINAL TO TERMINAL 1000VAC/10mA/1MINUTE

NO.	PARTS	MATERIALS	Q'TY	TOLERANCE UNLESS SPECIFIED				
8				WITHIN 1.5mm : ±0.1mm	A	2012-8-13	初版	
7				OVER 1.5mm : ±0.2mm	ISSUE	DATE	DESCRIPTIONS OF REVISION	APPD.
5	SPRING	SUS	1	NATURAL	TITLE : Micro Switch MODEL: 			
4	CAM STICK	SUS	1	NATURAL				
3	CASE	PA66/BRASS STRIP	1	GREY/Ag PLATED				
2	COVER	PA66	1	BLACK				
1	KNOB	PA66/PBS C5210R-EH	1	WHITE/Ag CLAD				
					UNIT : mm	DRWG NO.:		
					SCALE: 5:1	DWN.		2012-8-13
						CHK'D		2012-8-13
						APPD.		