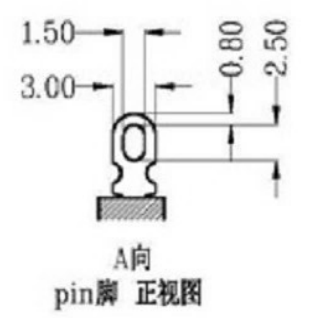
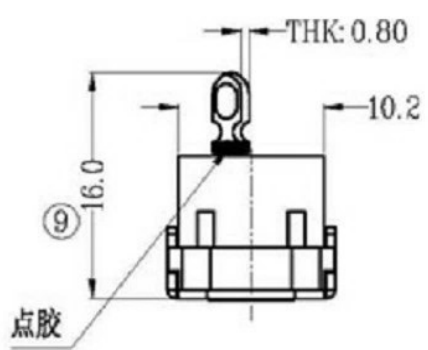
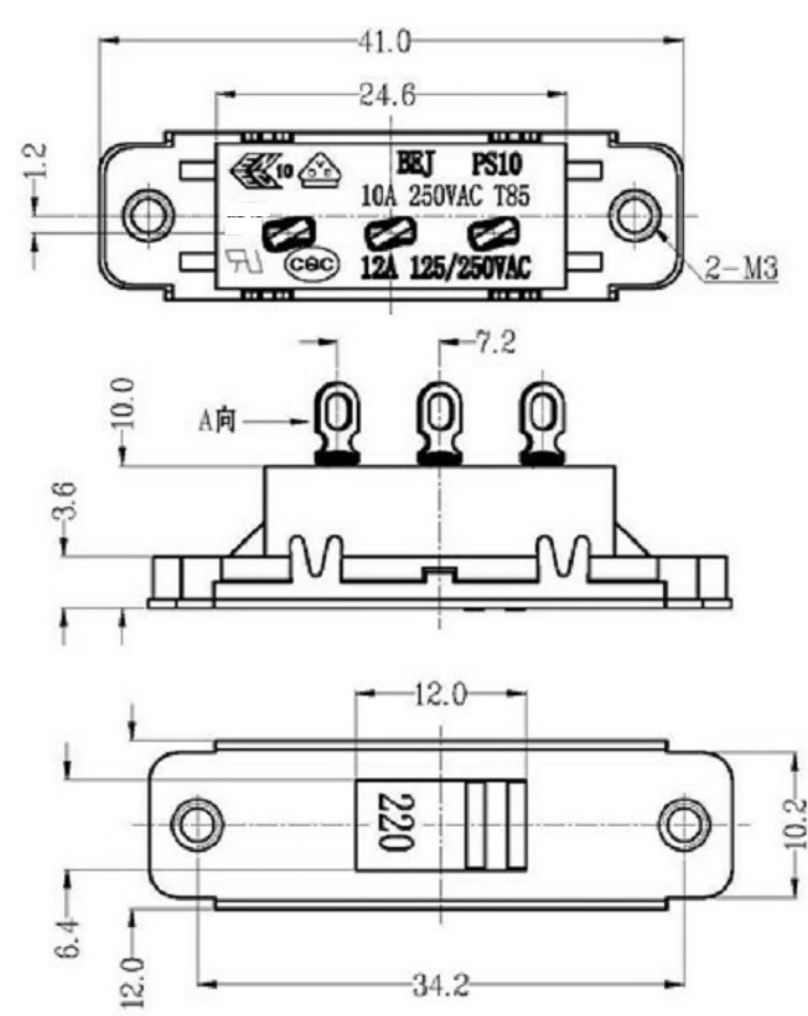


CAD FILE:



- 1、FUNCTION: 1P1T
- 2、RATING: UL: 12A 125/250VAC  
ENEC VDE: 10A 250VAC T85
- 3、OPERATION FORCE: 700±300g.f
- 4、CONTACT RESISTANCE: ≤ 50 mΩ
- 5、INSULATION RESISTANCE: ≥ 100 MΩ
- 6、DIELECTRIC WITHSTAND: TERMINAL TO BUTTON 3000VAC/5mA/1MIN/TUE  
TERMINAL TO TERMINAL 1500VAC/5mA/1MIN/TUE
- 7、CONTACT SPACING: < 3 mm



注: "\*"表示关键尺寸(6个)

NO.	PARTS	MATERIALS	Q'TY	FINISH	TOLERANCE UNLESS SPECIFIED	ISSUE	DATE	DESCRIPTIONS OF REVISION	APPD.
8									
7	STEEL BALL	STEEL	1	NATURAL					
6	SPRING	STEEL WIRE	1	NATURAL					
5	CONTACT CLIP	PBS STRIP	2	Ag PLATED	WITHIN	A	2012-10-26	初版	
4	TERMINAL	BRASS STRIP	8	Ag PLATED	OVER				
3	BASE	PHENOLIC RESIN	1	NATURAL	TITLE : VERTICAL SLIDE SWITCH			UNIT : mm	DRWG NO.:
2	FRAME	STEEL STRIP	1	Ni PLATED	MODEL:			SCALE: 3:1	DWN.
1	KNOB	POM	1	BLACK	<b>广东科斯达开关厂</b>				2012-10-26
								APPD.	2012-10-26