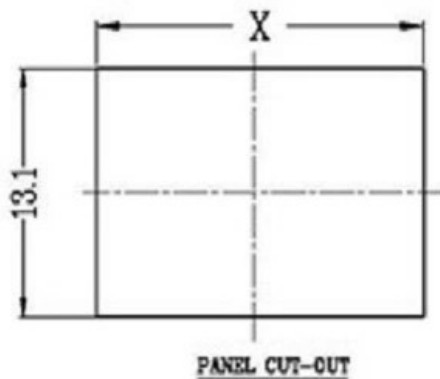
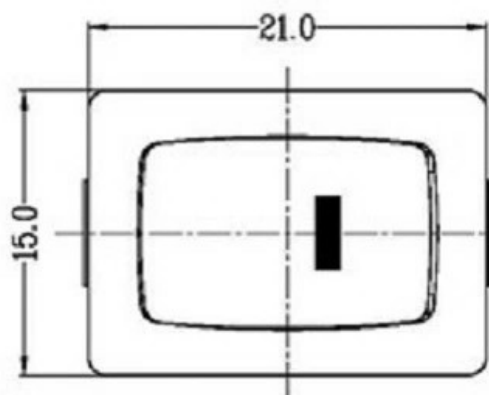


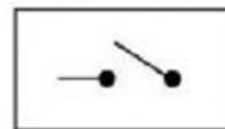
8. SUGGESTED PANEL HOLE SIZE:

PANEL THICKNESS	DIM X
0.75-1.25	19.2/19.1
1.25-2.0	19.4/19.3
2.0-3.0	19.8/19.7



1. FUNCTION: OFF-ON
2. RATING: CQC: 16A 250VAC
3. OPERATION FORCE: 650±350g.f
4. CONTACT RESISTANCE: ≤ 50 mΩ
5. INSULATION RESISTANCE: ≥ 100 MΩ
6. DIELECTRIC WITHSTAND: TERMINAL TO BUTTON 3000VAC/5mA/1MINUTE
TERMINAL TO TERMINAL 1500VAC/5mA/1MINUTE

7. CIRCUIT DIAGRAM:



A4				普通公差:	 广东科斯达电子科技有限公司 Guang dong Keside Electronic Technology Co., Ltd.							
A3				COMMON TOLERANCE :								
A2				UP TO 5	±0.20	单位	mm	投影	品名	跳板开关	比例	Free
A1				ABOVE 5 TO 30	±0.30	UNIT		PROJECTED	型号			
REV.	DATE	REVISION DESCRIPTION	ISSUE	ANGULAR	±5°	绘图	周金勇	核对	梁金勇	图号	KSD-AC SWITCH	
						日期	2015.8.17	核准	周培雷	DWG NO.		