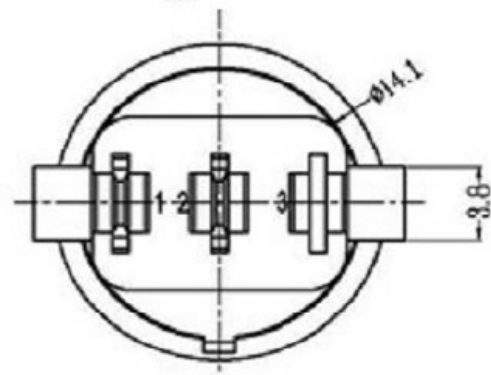
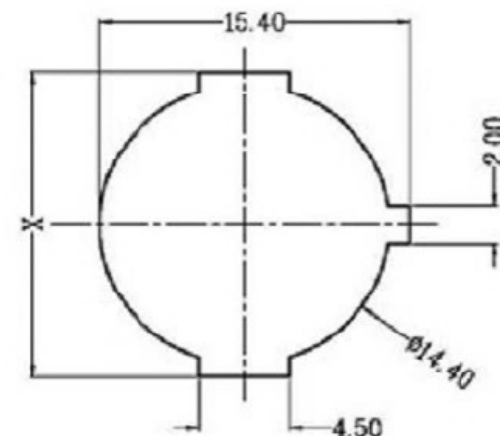
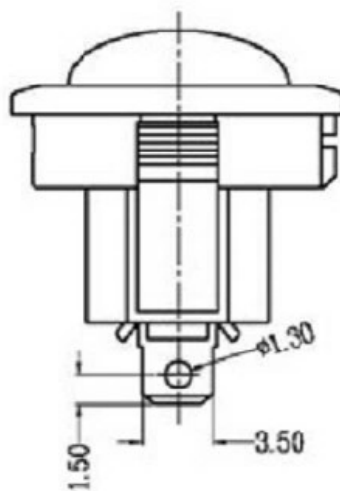
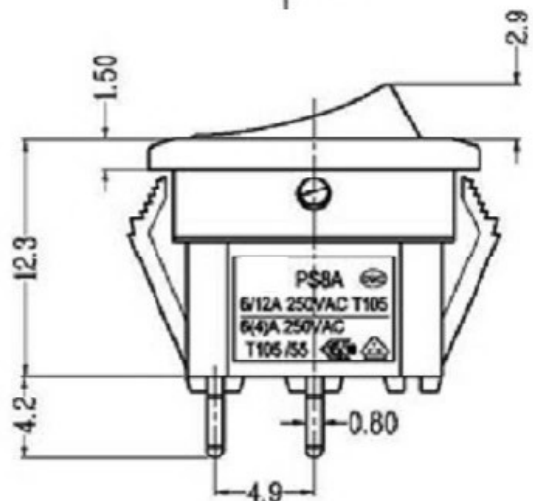


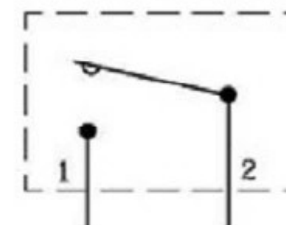
- 1、FUNCTION: ON-OFF
- 2、RATING: UL: 4(4)A 250VAC 25T125/55 5E4
CQC: 6/12A 250VAC T105
ENEC VDE: 6(4)A 250VAC T105/55
KC: 10(4)A 250VAC T105
- 3、OPERATION FORCE: 600±300g.f
- 4、CONTACT RESISTANCE: ≤ 50 mΩ
- 5、INSULATION RESISTANCE ≥ 100 MΩ
- 6、DIELECTRIC WITHSTAND: TERMINAL TO BUTTON 3000VAC/5mA/1MINUTE
TERMINAL TO TERMINAL 1500VAC/5mA/1MINUTE

SUGGESTED PANEL HOLE SIZE

thk	X
0.5~1.2mm	15.4mm
1.3~2.0mm	15.8mm
2.1~3.5mm	16.2mm



WIRING DIAGRAM



A4				普通公差:	 广东科斯达电子科技有限公司 Guang dong Keside Electronic Technology Co., Ltd.							
A3				COMMON TOLERANCE :								
A2				UP TO 5	±0.20	单位	mm	投影	品名	跷板开关	比例	Free
A1				ABOVE 5 TO 30	±0.30	UNIT		PROJECTED	PRODUCT NAME			
REV.	DATE	REVISION DESCRIPTION	ISSUE	ANGULAR	±5°	绘图	周金勇	核对	梁金勇	型号	KSD-AC SWITCH	
						DRAWN BY		CHECKED BY	周培雷	MODEL NO.		
						日期	2015.8.17	核准		图号		
						DATE		APPROVAL BY		DWG NO.		