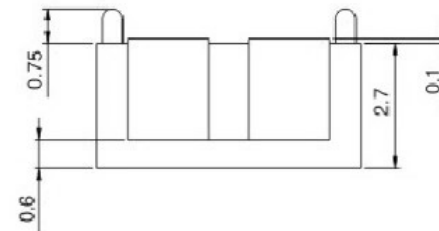
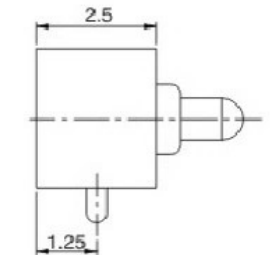
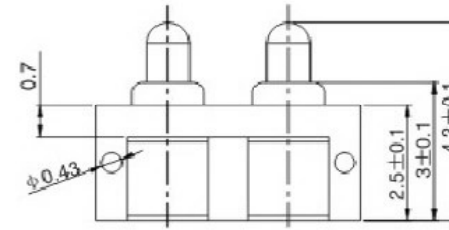
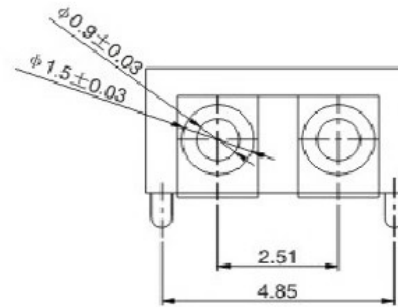


DATE	DR.BY	ECN.NO.	DESCRIPTION	MARK	VER.
18/12'06			NEW DWG		AO



**1.MATERIAL**

- 1-1 CONTACT PIN: COPPER ALLOY
- 1-2 SOLDER PAD: COPPER ALLOY
- 1-3 SPRING: SWP-B,PIANO WIRE OR EQUIVALENT
- 1-4 HOUSING: HIGH-TEMP.RESIN RATED, UL-94V-0,BLACK

**2.MECHERCAL SPECIFICATION:**

- 2-1 CONTACTFORCE(PER CONTACT):  
95±25gf AT 1.0mm WORKING HEIGHT
- 2-2 MAXMUM FULL STROKE: 1.20mm  
WORKING HEIGHT: 1.0mm
- 2-3 DURABILITY: 10,000 CYCLES

**3.ELECTRICAL SPECIFICATION:**

- 3-1 RATED VOLTAGE(PER CONTACT): 12 VOLTS MAX.
- 3-2 RATED CURRENT(PER CONTACT): 2 AMPS MAX.
- 3-3 CONTACT RESISTANCE: 30 MILLIOHMS MAX.

**1. 材料和电镀**

接触头为(斜头)黄铜合金(C3604), 镀镍50-70 μ"镀金1 μ"  
导管为黄铜合金(C3604), 镀镍50-70 μ"镀金1 μ"

**2. 塑胶材质**

PA46+30%玻纤

**3. 弹力: 120g±10%**

**4. 持续工作电流: 1A**

**5. 工作电压: 12V AC/DC**

接触电阻: 30mOhm Max

**6. 使用寿命: 20000次**

**7. 工作温度计: -40℃ - 80℃ 90% R. H. Max**

**8. 中性盐雾测试24小时无锈蚀**

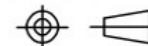
**-TOLERANCES-  
UNLESS OTHERWISE SPECIFIED**

公差参考表

X.	±0.10	X'	±2.00'
XX	±0.05		
XXX	±0.02	X.X'	±1.00'
X.XXX	——		



**广东科斯达开关厂**



**TITLE:**  
产品品名: POGO PIN

**PRODUCT NO:**  
产品料号:

APPD: 核准:	王芬利	DATE	SCALE	UNIT	TYPE	PAGE
CHECK: 校对:		2016.11.21	1:1	mm	CD	1/1
DRAW: 绘图:						