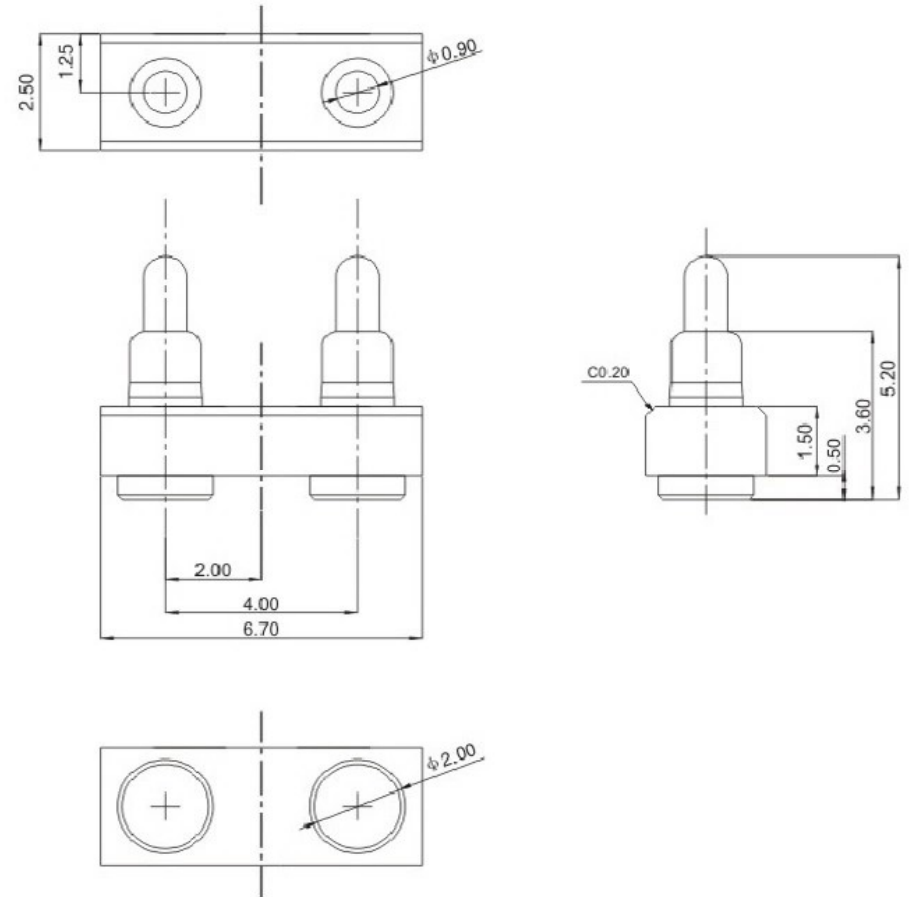


DATE	DR.BY	ECN.NO.	DESCRIPTION	MARK	VER.
18/12'06			NEW DWG		AO



NOTE:

PRODUCT TO BE MET TYCO SPEC 230-702

1. MATERIAL

HOUSING: PA46+30%GF,UL94V-0,COLOR:BLACK
 PLUNGER:BRASS,3u" GOLD PLATING 50u"MIN NICKEL UNDERPLATED
 BARREL:BRASS,3u"GOLD PLATING OVER 50u"MIN NICKEL UNDERPALTED
 SPRING:SUS304

2. SPECIFICATION:

ELECTRICAL
 CURRENT RATING:12VDC, 1A
 INSULATION RESISTANCE:100m Min
 CONTACT RESISTANCE:50m Max
 ENVIRONMENTAL:
 TEMPERATURE RANGE:-40°C ~85°C

3.MECHANICAL FUNCTION:

WORKING STROKE:85±20gf AT 1.20mm
 RECOMMEND STROE
 MAX.STROKE:1.6mm FULL STROKE
 DURABILITY:10,000 CYCLES/1.20mm STROKE

1. 材料和电镀

接触头为(斜头)黄铜合金(C3604), 镀镍50-70 μ"镀金1 μ"
 导管为黄铜合金(C3604), 镀镍50-70 μ"镀金1 μ"

2. 塑胶材质

PA46+30%玻纤

3. 弹力: 120g±10%

4. 持续工作电流: 1A

5. 工作电压: 12V AC/DC

接触电阻: 30mOhm Max

6. 使用寿命: 20000次

7. 工作温度计: -40°C - 80°C 90% R. H. Max

8. 中性盐雾测试24小时无锈蚀

-TOLERANCES- UNLESS OTHERWISE SPECIFIED 公差参考表			
X.	±0.10	X'	±2.00'
XX	±0.05		
XXX	±0.02	X.X'	±1.00'
X.XXX	——		



APPD: 核准:		TITLE: 产品品名: POGO PIN				
CHECK: 校对:		PRODUCT NO: 产品料号:				
DRAW: 绘图:	王芬利	DATE	SCALE	UNIT	TYPE	PAGE
		2016.11.21	1:1	mm	CD	1/1