

DATE	DR. BY	ECN. NO.	DESCRIPTION	MARK	VER.
18/12'06			NEW DWG		AO

**1. MATERIAL**

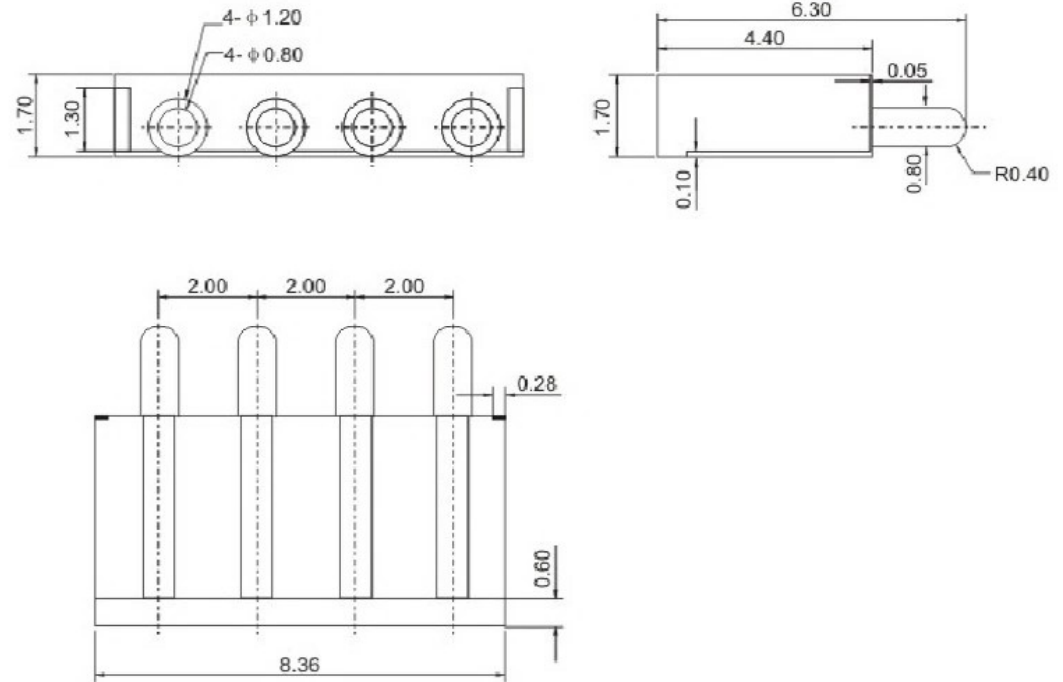
- 1-1 CONTACT PIN: COPPER ALLOY
- 1-2 SOLDER PAD: COPPER ALLOY
- 1-3 SPRING: SWP-B, PIANO WIRE OR EQUIVALENT
- 1-4 HOUSING: HIGH-TEMP. RESIN RATED, UL-94V-0, BLACK

**2. MECHERCAL SPECIFICATION:**

- 2-1 CONTACT FORCE (PER CONTACT): 95+20gf AT 1.2 mm WORKING HEIGHT
- 2-2 MAXMUM FULL STROKE: 1.9 mm WORKING HEIGHT: 1.2 mm
- 2-3 DURABILITY: 10,000 CYCLES

**3. ELECTRICAL SPECIFICATION:**

- 3-1 RATED VOLTAGE (PER CONTACT): 12 VOLTS MAX.
- 3-2 RATED CURRENT (PER CONTACT): 2 AMPS MAX.
- 3-3 CONTACT RESISTANCE: 30 MILLIOHMS MAX.



**1. 材料和电镀**

接触头为(斜头)黄铜合金(C3604), 镀镍50-70 μ"镀金1 μ"  
 导管为黄铜合金(C3604), 镀镍50-70 μ"镀金1 μ"

**2. 塑胶材质**

PA46+30%玻纤

**3. 弹力: 120g ± 10%**

**4. 持续工作电流: 1A**

**5. 工作电压: 12V AC/DC**

接触电阻: 30mOhm Max

**6. 使用寿命: 20000次**

**7. 工作温度计: -40℃ - 80℃ 90% R. H. Max**

**8. 中性盐雾测试24小时无锈蚀**

-TOLERANCES- UNLESS OTHERWISE SPECIFIED 公差参考表	
X. ±0.10	X'. ±2.00'
XX ±0.05	XX' ±1.00'
XXX ±0.02	
X.XXX	



		<b>TITLE:</b> 产品品名: POGO PIN				
<b>APPD:</b> 核准:		<b>PRODUCT NO:</b> 产品料号:				
<b>CHECK:</b> 校对:		DATE	SCALE	UNIT	TYPE	PAGE
<b>DRAW:</b> 绘图: 王芬利		2016.11.21	1:1	mm	CD	1/1