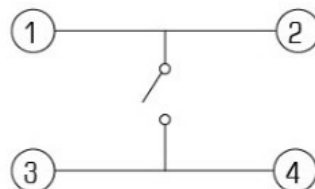


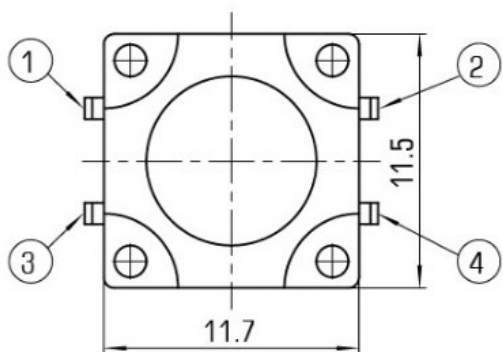
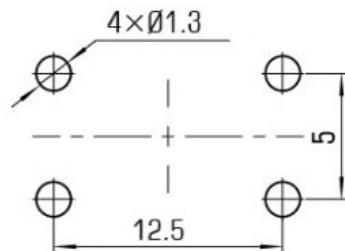
**CIRCUIT DIAGRAM**



技术参数:

1. 做用温度: -25~+85℃;
2. 额定负荷: DC 12V 50mA;
3. 接触电阻: ≤50mΩ;
4. 绝缘电阻: ≥100MΩ;
5. 耐压: AC250V (50Hz)/min;
6. 动作力: 180g±50g;
7. 使用寿命: 100000次;
8. 未注尺寸公差参照下面表格。

**P.C.B. LAYOUT**



H	8	8.5	9	9.5	10	10.2	10.5	11	11.5	12	12.5	13
H	13.5	14	14.5	15	15.5	16.5	17.5	18	19.5	20.5	22.2	23.5

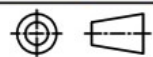


**广东科斯达开关厂**

TITLE : TACT SWITCH

MODEL :

DRAWING NO.



UNIT : M M      DWN.      LSX      2015-02-18      GENERAL TOLERANCE

SCALE : 5 : 1      CHK' D      LJ      2015-02-18      WITHIN 1.5mm±0.1mm

LEVEL 1      REV R1      APPD.      CC      2015-02-18      OVER 1.5mm±0.2mm

9				
8				
7				
6	CAP	ABS/PC	1	SLIVER /BLACK
5	CONTACT	PBS	1	Ag CLAD
4	TERMINAL	BRASS STRIP	4	Ag PLATED
3	BASE	PA66	1	BLACK
2	COVER	PET	1	NATURAL
1	KNOB	PA66	1	WHITE
NO.	PART NAME	MATERIAL	QTY.	FINISHING