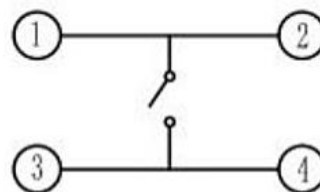
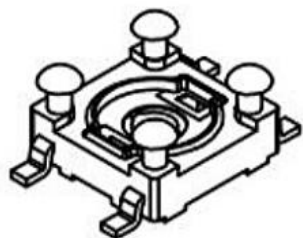
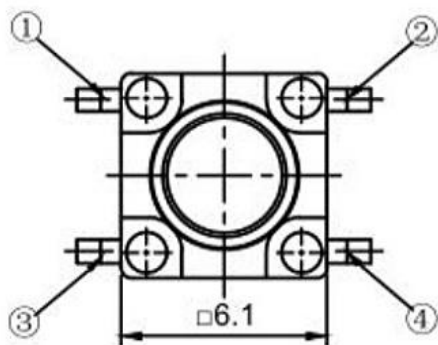


### CIRCUIT DIAGRAM

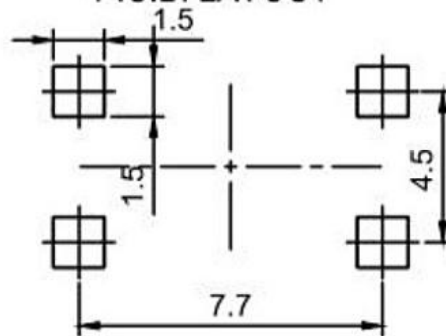


### 技术参数:

1. 做用温度: -25~+85℃;
2. 额定负荷: DC 12V 50mA;
3. 接触电阻: ≤50mΩ;
4. 绝缘电阻: ≥100MΩ;
5. 耐 压: AC250V (50Hz)/min;
6. 动 作 力: 180g±50g;
7. 使用寿命: 100000次;
8. 未注尺寸公差参照下面表格。



### P.C.B. LAYOUT



|   |     |      |     |      |     |      |     |      |     |      |    |      |    |      |
|---|-----|------|-----|------|-----|------|-----|------|-----|------|----|------|----|------|
| H | 4.3 | 4.5  | 5.5 | 6    | 6.5 | 7    | 7.5 | 8    | 8.5 | 9    | 9  | 9.5  | 10 | 10.5 |
| H | 11  | 11.5 | 12  | 12.5 | 13  | 13.5 | 14  | 14.5 | 15  | 15.5 | 16 | 16.5 | 17 |      |

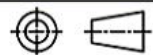


## 广东科斯达开关厂

TITLE : TACT SWITCH

MODEL :

DRAWING NO.



|               |        |       |            |                    |
|---------------|--------|-------|------------|--------------------|
| UNIT : M M    | DWN.   | LSX   | 2015-02-18 | GENERAL TOLERANCE  |
| SCALE : 5 : 1 | CHK' D | LJ    | 2015-02-18 | WITHIN 1.5mm±0.1mm |
| LEVEL 1       | REV R1 | APPD. | CC         | 2015-02-18         |
|               |        |       |            | OVER 1.5mm±0.2mm   |

|     |           |             |      |               |
|-----|-----------|-------------|------|---------------|
| 9   |           |             |      |               |
| 8   |           |             |      |               |
| 7   |           |             |      |               |
| 6   | CAP       | ABS/PC      | 1    | SLIVER /BLACK |
| 5   | CONTACT   | PBS         | 1    | Ag CLAD       |
| 4   | TERMINAL  | BRASS STRIP | 4    | Ag PLATED     |
| 3   | BASE      | PA66        | 1    | BLACK         |
| 2   | COVER     | PET         | 1    | NATURAL       |
| 1   | KNOB      | PA66        | 1    | WHITE         |
| NO. | PART NAME | MATERIAL    | QTY. | FINISHING     |