

DATE	DR.BY	ECN.NO.	DESCRIPTION	MARK	VER.
18/12'06			NEW DWG		AO

1.MATERIAL

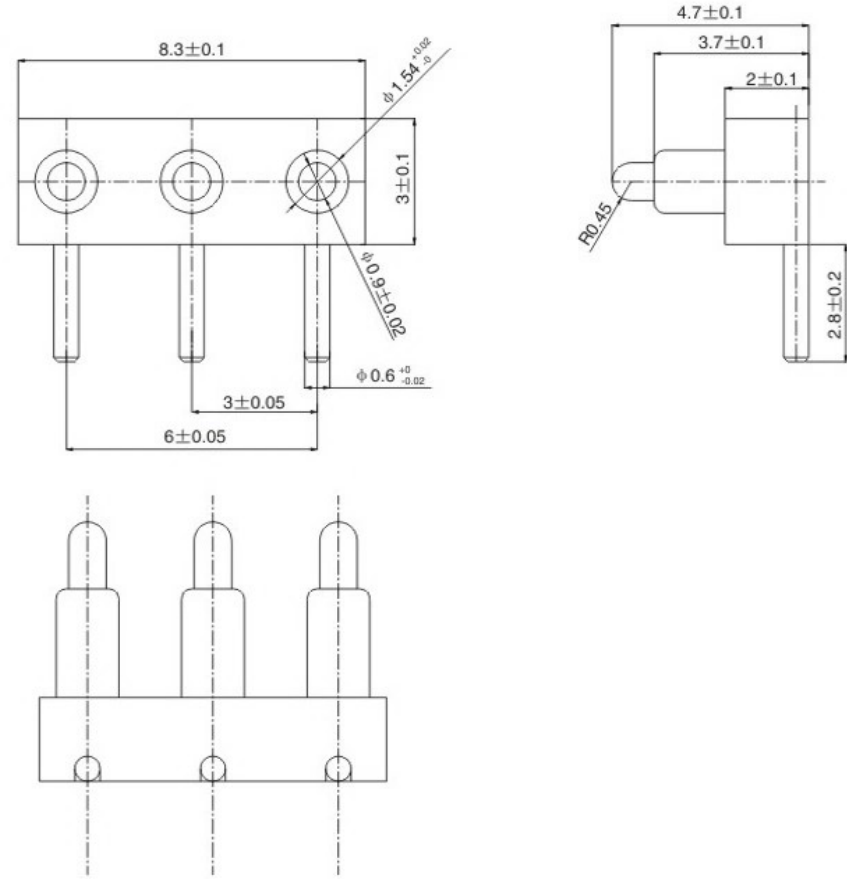
- 1-1 CONTACT PIN: COPPER ALLOY
- 1-2 SOLDER PAD: COPPER ALLOY
- 1-3 SPRING: SWP-B,PIANO WIRE OR EQUIVALENT
- 1-4 HOUSING: HIGH-TEMP.RESIN RATED, UL-94V-0,BLACK

2.MECHERCAL SPECIFICATION:

- 2-1 CONTACTFORCE(PER CONTACT): 90±25gf AT 0.70mm WORKING HEIGHT
- 2-2 MAXMUM FULL STROKE: 1.0mm WORKING HEIGHT: 0.7mm
- 2-3 DURABILITY: 10,000 CYCLES

3.ELECTRICAL SPECIFICATION:

- 3-1 RATED VOLTAGE(PER CONTACT): 12 VOLTS MAX.
- 3-2 RATED CURRENT(PER CONTACT): 2 AMPS MAX.
- 3-3 CONTACT RESISTANCE: 30 MILLIOHMS MAX.



1. 材料和电镀

接触头为(斜头)黄铜合金(C3604), 镀镍50-70 μ"镀金1 μ"
 导管为黄铜合金(C3604), 镀镍50-70 μ"镀金1 μ"

2. 塑胶材质

PA46+30%玻纤

3. 弹力: 120g±10%

4. 持续工作电流: 1A

5. 工作电压: 12V AC/DC

接触电阻: 30mOhm Max

6. 使用寿命: 20000次

7. 工作温度计: -40℃ - 80℃ 90% R. H. Max

8. 中性盐雾测试24小时无锈蚀

-TOLERANCES- UNLESS OTHERWISE SPECIFIED 公差参考表	
X. ±0.10	X'. ±2.00'
XX ±0.05	XX' ±1.00'
XXX ±0.02	
X.XXX	



APPD: 核准:		TITLE: 产品品名: POGO PIN				
CHECK: 校对:		PRODUCT NO: 产品料号:				
DRAW: 绘图: 王芬利		DATE: 2016.11.21	SCALE: 1:1	UNIT: mm	TYPE: CD	PAGE: 1/1