

DATE	DR.BY	ECN.NO.	DESCRIPTION	MARK	VER.
18/12'06			NEW DWG		AO

**NOTE:**

PRODUCT TO BE MET ROHS

**1.MATERIAL**

HOUSING: PA46+30%GF,UL94V-0,COLOR: BLACK

PLUNGER: BRASS,3u" GOLD PLATING

50u" MIN.NICKEL UNDERPLATEE.

BARREL:BRASS,3u" GOLD PLATING OVER

50u"MIN.NICKEL UNDER PLATED

SPRING:SUS304

**2.SPECIFICATION**

ELECTRICAL

CURRENT RATING: 12VDC,1A

INSULATION RESISTANCE:100m Min

ENVIRONMENTAL

TEMPERATURE RANGE: -40°C ~85°C

**3.MECHANICAL FUNCTION**

SPRING PROBE FORCE

WORKING STROKE:100g±20gf AT 1.00mm RECOMMEND STROE

MAX.STROKE:1.30MM FULL STROKE

DURABILITY:10,000 CYCLES/1.00mm STROKE

**1. 材料和电镀**

接触头为(斜头)黄铜合金(C3604), 镀镍50-70 μ" 镀金1 μ"

导管为黄铜合金(C3604), 镀镍50-70 μ" 镀金1 μ"

**2. 塑胶材质**

PA46+30%玻纤

**3. 弹力: 120g±10%**

**4. 持续工作电流: 1A**

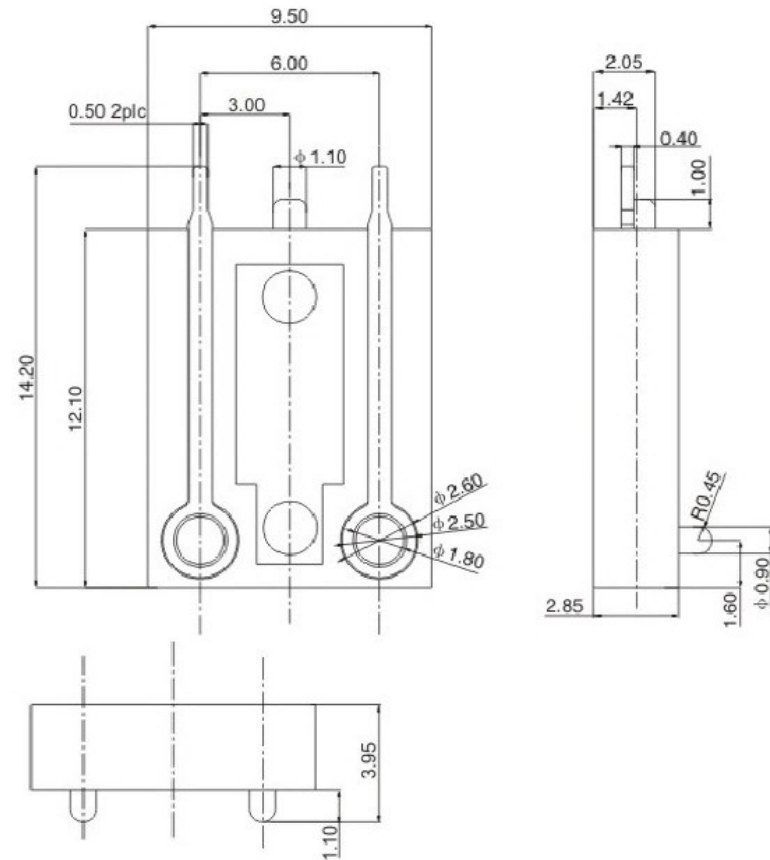
**5. 工作电压: 12V AC/DC**

接触电阻: 30mOhm Max

**6. 使用寿命: 20000次**

**7. 工作温度计: -40°C - 80°C 90% R. H. Max**

**8. 中性盐雾测试24小时无锈蚀**



-TOLERANCES- UNLESS OTHERWISE SPECIFIED 公差参考表		 <b>广东科斯达开关厂</b>				
		 		<b>TITLE:</b> 产品品名: POGO PIN		
		<b>APPD:</b> 核准:		<b>PRODUCT NO:</b> 产品料号:		
		<b>CHECK:</b> 校对:		<b>DATE</b>		
		<b>DRAW:</b> 绘图: 王芬利		<b>SCALE</b>		
		<b>X. ±0.10</b>		<b>UNIT</b>		
		<b>X.X ±0.05</b>		<b>TYPE</b>		
		<b>X.XX ±0.02</b>		<b>PAGE</b>		
		<b>X.XXX _____</b>		<b>1/1</b>		