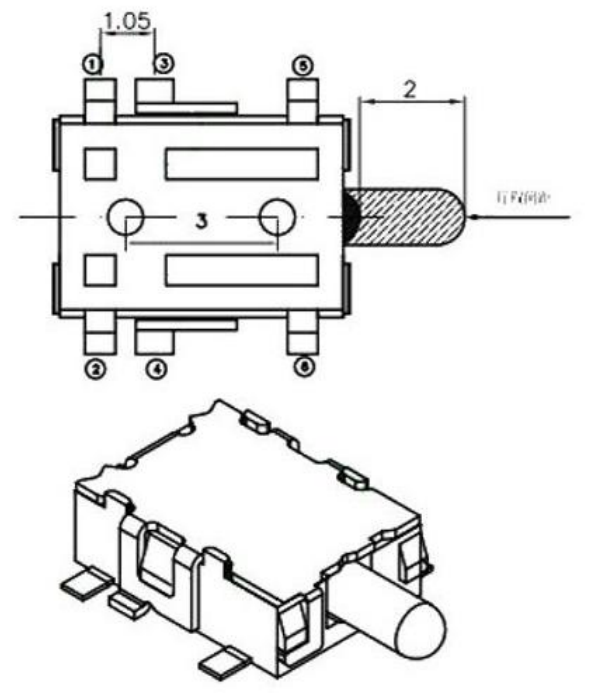


常态 通电      按下 不通电  
电路图



|          |                       |      |    |          |            |                                      |      |     |          |          |      |                                |
|----------|-----------------------|------|----|----------|------------|--------------------------------------|------|-----|----------|----------|------|--------------------------------|
| TITLE    | MICRO DETECTOR SWITCH |      |    | DRAWN    |            | TOLERANCE OTHERWISE UNLESS SPECIFIED |      | 9   |          |          |      |                                |
| PART NO. |                       |      |    | CHECKED  |            | UP TO 5                              | ±0.2 | 8   |          |          |      |                                |
| DRAW NO. | M18                   |      |    | APPROVED |            | ABOVE 5 ~ 30                         | ±0.3 | 7   |          |          |      |                                |
| SCALE    | 4:1                   | UNIT | mm | DATE     | 06-12-2001 | ABOVE 30 ~ 50                        | ±0.4 | 6   |          |          |      |                                |
|          |                       |      |    |          |            | ABOVE 50                             | ±0.5 | 5   |          |          |      |                                |
|          |                       |      |    |          |            | ANGLE                                | ±3'  | 4   | TERMINAL | BRASS    | 4    | Ag PLATED OVER Ni PLATED       |
|          |                       |      |    |          |            |                                      |      | 3   | HOUSING  | NYLON    | 1    | BLACK\Ag PLATED OVER Ni PLATED |
|          |                       |      |    |          |            |                                      |      | 2   | COVER    | NYLON    | 1    | BLACK                          |
|          |                       |      |    |          |            |                                      |      | 1   | KNOB     | NYLON    | 1    | BLACK                          |
|          |                       |      |    |          |            |                                      |      | NO. | PARTS    | MATERIAL | QTY. | FINISHING                      |

