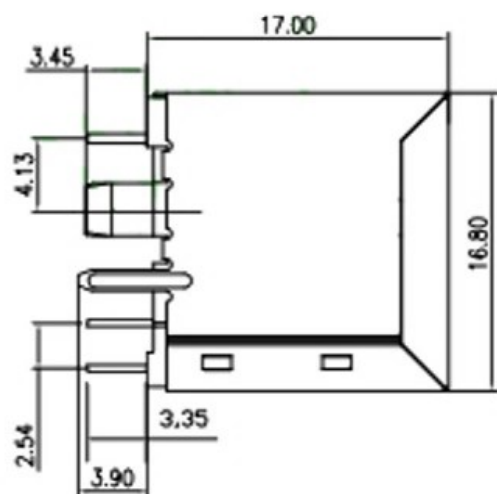
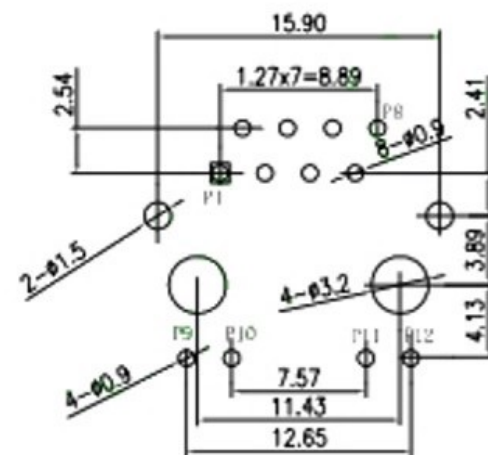
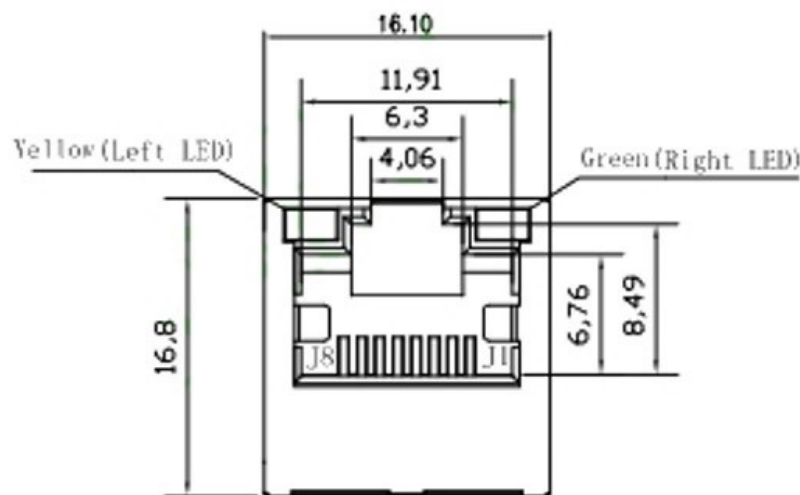
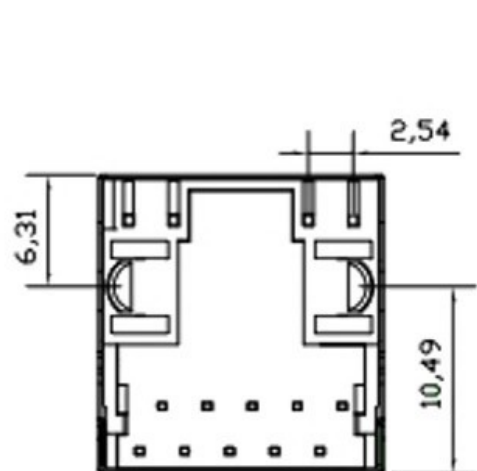


1*1 Port RJ-45 Jack With 10/100 Base-T Magnetics Module

REV.	DESCRIPTION	NAME	DATE
A	NEWS ISSUE		2018/01/18
B	Modify dimensions		2019/03/22



F.C.B RECOMMENDED HOLE SIZE/ITL SEE FROM COMPONENT SIDE.
ALL CENTER LINE DIMENSIONS ARE BASIC

LED Specification

Standard LED Color	LED Wavelength	Forward (V MAX)	Typical (V TYP)	Luminous Intensity
Green	560-580 nm	2.5V	2.1-2.2V	9-25 MCD
Yellow	580-610 nm	2.5V	2.1-2.2V	9-30 MCD

- LED intensity/wavelength measured with Photo Research PR-650 Colorimeter
- With a forward current of 20 mA, Absolute Maximum Ratings (Ta=25°C)

- Connector Material:
Housing: Thermoplastic UL94 V-0
Contact/Shield: Cooper alloy
Shield Plating: Nickel
Contact Plating: Selective gold 6u~ Min
- Tolerances comply with F.C.C dimension requirements
- Durability: 800 mating Min



广东科斯达电子科技有限公司
Guangdong Keside Electronic Technology Co., Ltd.
广东科斯达电器开关厂
Guangdong Keside Electrical Switch Factory

DRAW/ DATE	设计: 李金强	SIZE: A4	UNIT: MM	PART. NO: 料号
CHECKED/ DATE	审核: 赵来锋	SCALE: 1:1	PROJECTION	REV.: 版本
APPROVED/ DATE	核准: 赵佰友	DWG. PATH	图号	SHEET: 页码